


This Page Is Inserted by IFW Operations  
and is not a part of the Official Record

## **BEST AVAILABLE IMAGES**

Defective images within this document are accurate representations of the original documents submitted by the applicant.

Defects in the images may include (but are not limited to):

- 
- BLACK BORDERS
  - TEXT CUT OFF AT TOP, BOTTOM OR SIDES
  - FADED TEXT
  - ILLEGIBLE TEXT
  - SKEWED/SLANTED IMAGES
  - COLORED PHOTOS
  - BLACK OR VERY BLACK AND WHITE DARK PHOTOS
  - GRAY SCALE DOCUMENTS

**IMAGES ARE BEST AVAILABLE COPY.**

**As rescanning documents *will not* correct images,  
please do not report the images to the  
Image Problem Mailbox.**

(12) UK Patent Application (19) GB (11) 2 309 551 (13) A

(43) Date of A Publication 30.07.1997

(21) Application No 9701547.3

(22) Date of Filing 24.01.1997

(30) Priority Data

(31) 08012317	(32) 26.01.1996	(33) JP
08021438	07.02.1996	
08034037	21.02.1996	
9614331	08.07.1996	GB
08184791	15.07.1996	JP

(51) INT-CL<sup>6</sup>  
G02B 7/02

(52) UK CL (Edition O)  
G2J J23C

(56) Documents Cited  
US 5467227 A

(58) Field of Search  
UK CL (Edition O) G2J J23C  
INT CL<sup>6</sup> G02B

(71) Applicant(s)

Asahi Kogaku Kogyo Kabushiki Kaisha

(Incorporated in Japan)

36-9 Maenocho 2-chome, Itabashi-ku, Tokyo, Japan

(74) Agent and/or Address for Service

Ablett & Stabbing

45 Lancaster Mews, Lancaster Gate, LONDON,  
W2 3QQ, United Kingdom

(72) Inventor(s)

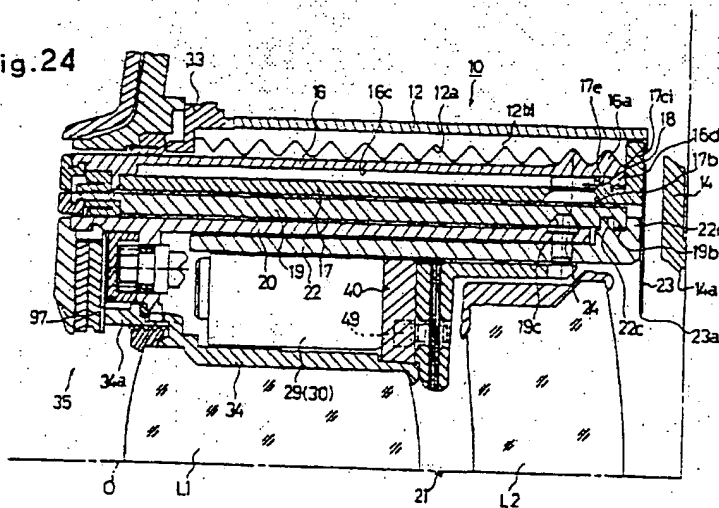
Hiroshi Nomura  
Kazuyoshi Azegami  
Takamitsu Sasaki

(54) Lens barrel having a linear guide groove

(57) A lens barrel 10 includes: an outer barrel 12 provided on an inner periphery thereof with a first thread 12a and at least one linear guide groove 12bi intersecting the first thread and extending in a direction of an optical axis of the lens barrel; a middle barrel 16 provided on an outer periphery thereof with a second thread 16a meshing with the first thread; an inner barrel 17 positioned inside the middle barrel and having at least one follower 17ci which engages with the linear guide groove, so that the inner barrel is guided along the optical axis without rotating about the optical axis with respect to the outer barrel; and a recess (12g, Figs 3,6) formed at a front end of each linear guide groove having a width dimension to enable rotational movement of the follower into the linear guide groove during initial meshing of the middle barrel with the outer barrel.

A part of the outer peripheral surface (12p, Fig. 28) of barrel 12 may be flat (12x, Fig. 28).

Fig.24



GB 2 309 551 A

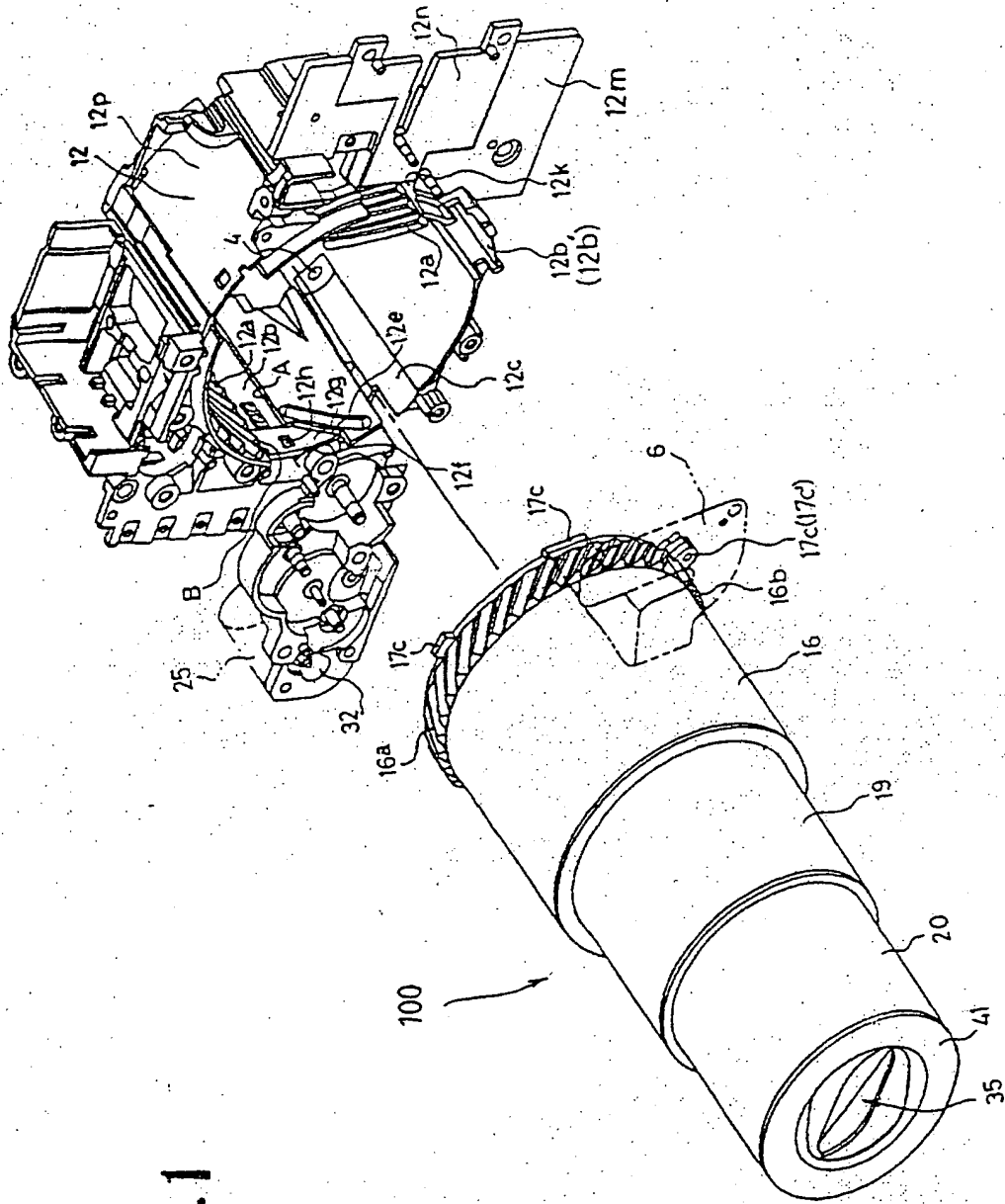


Fig.1

2 / 31

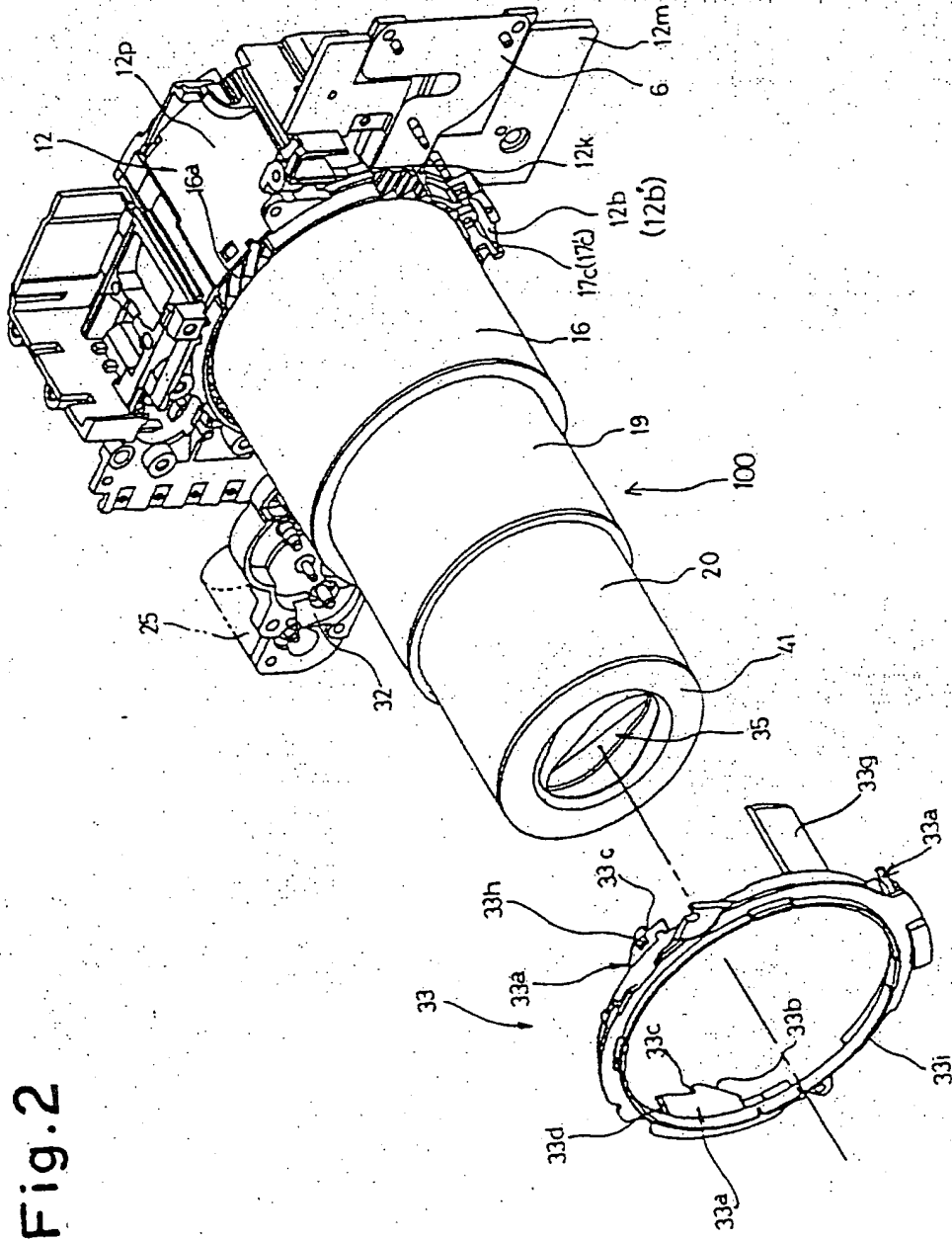
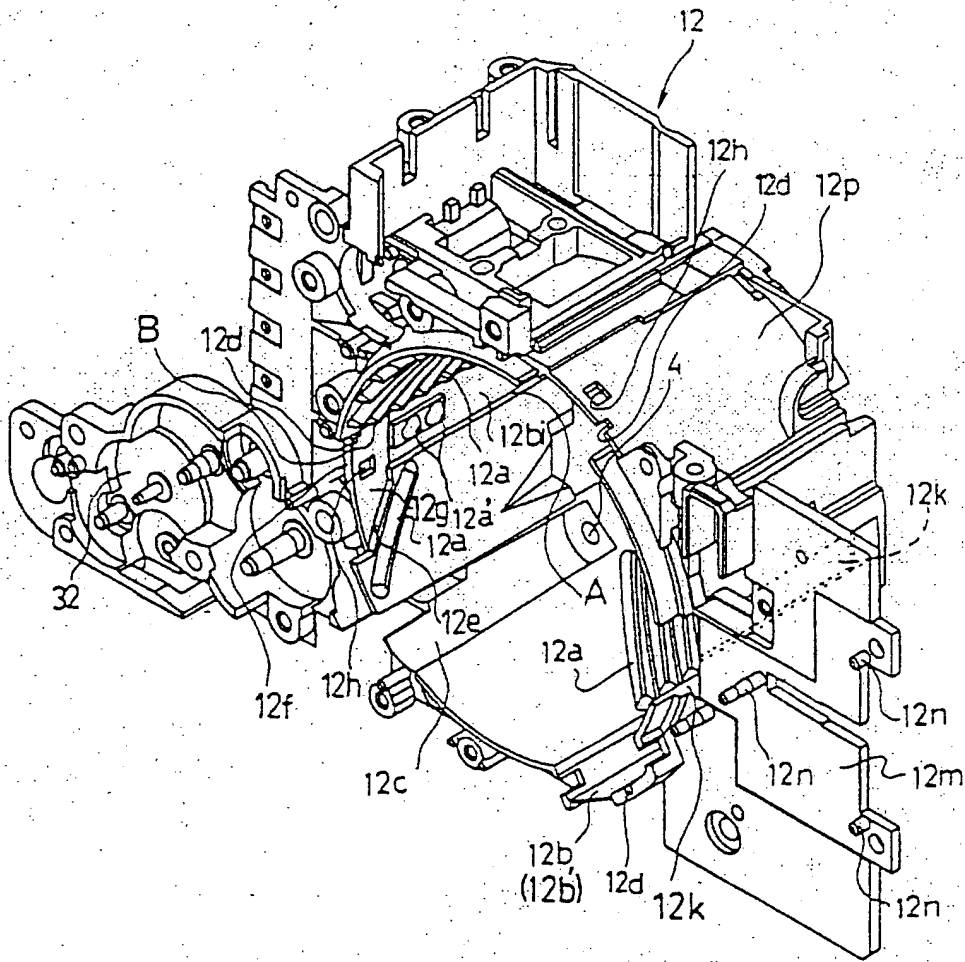


Fig.2

Fig. 3



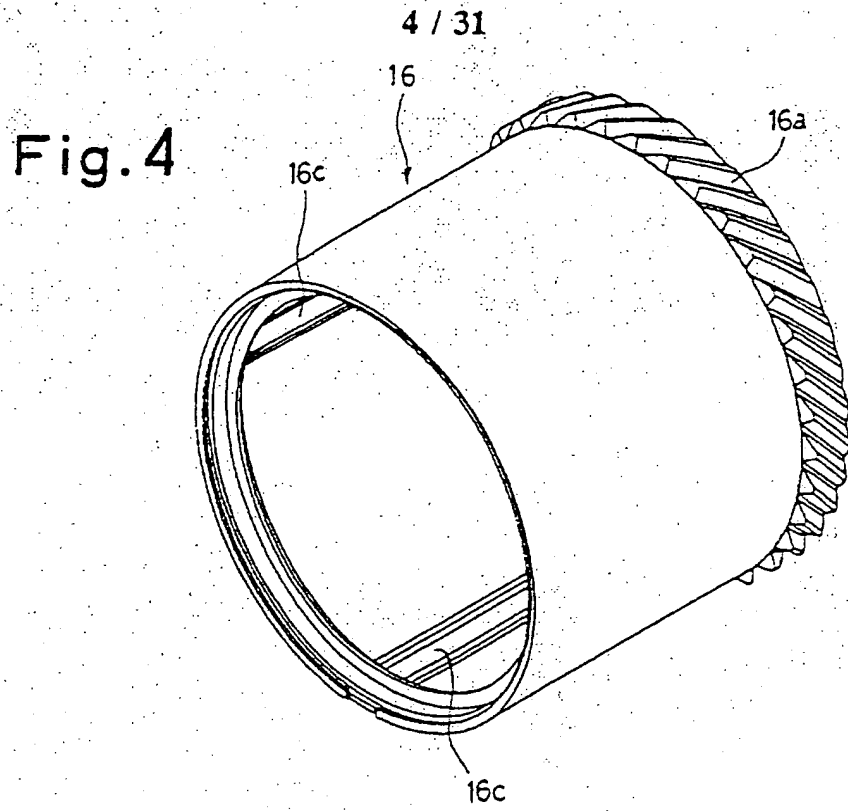
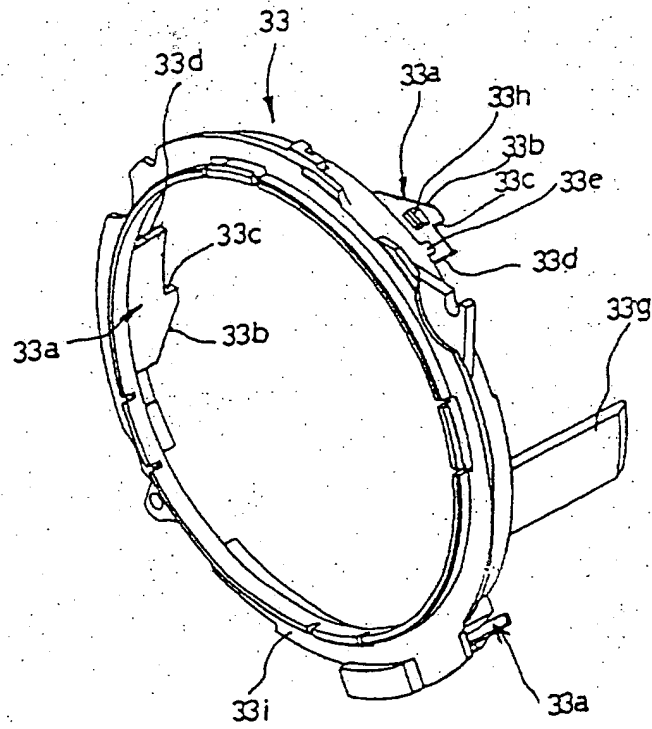


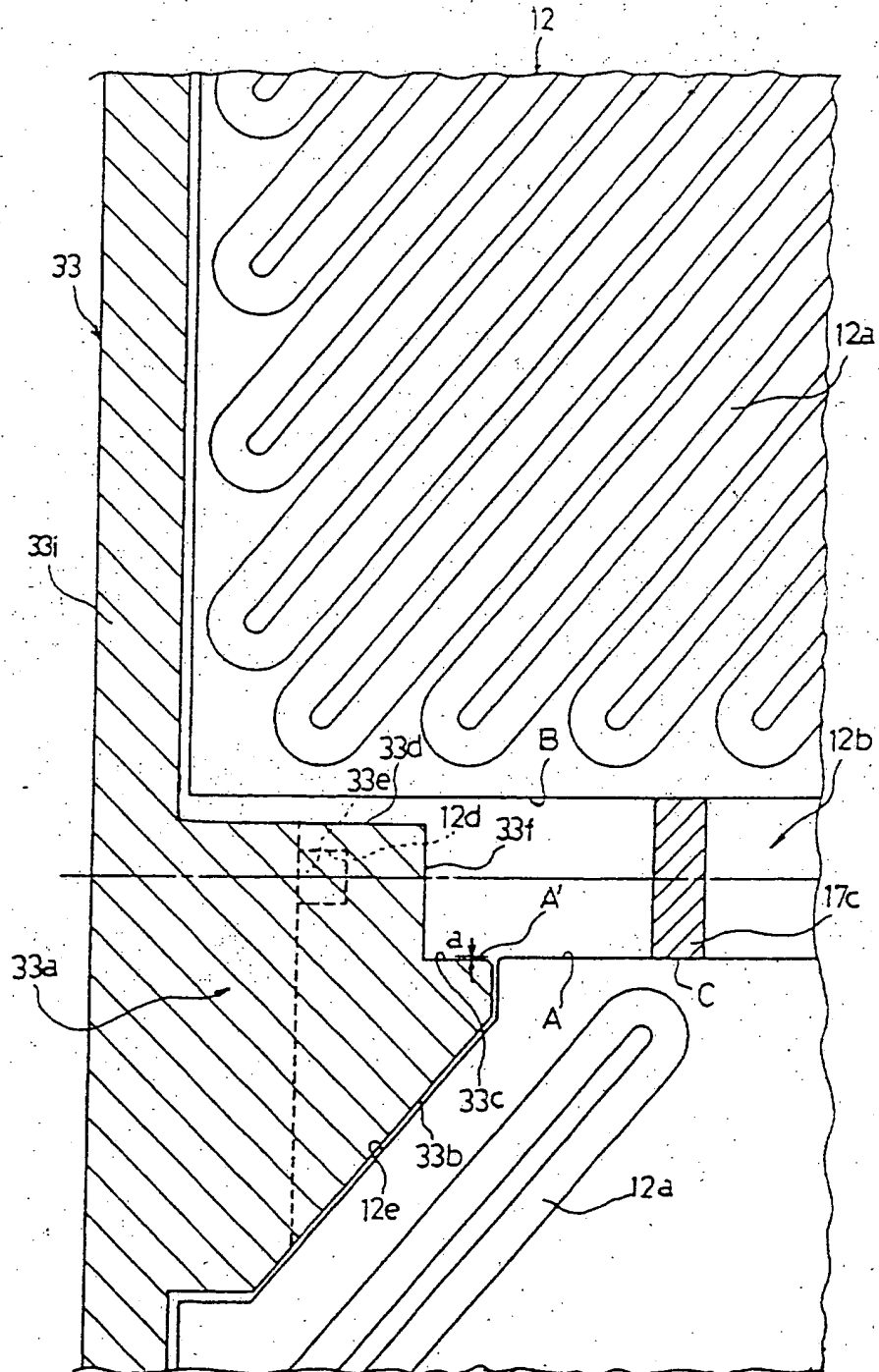
Fig. 5





6 / 31

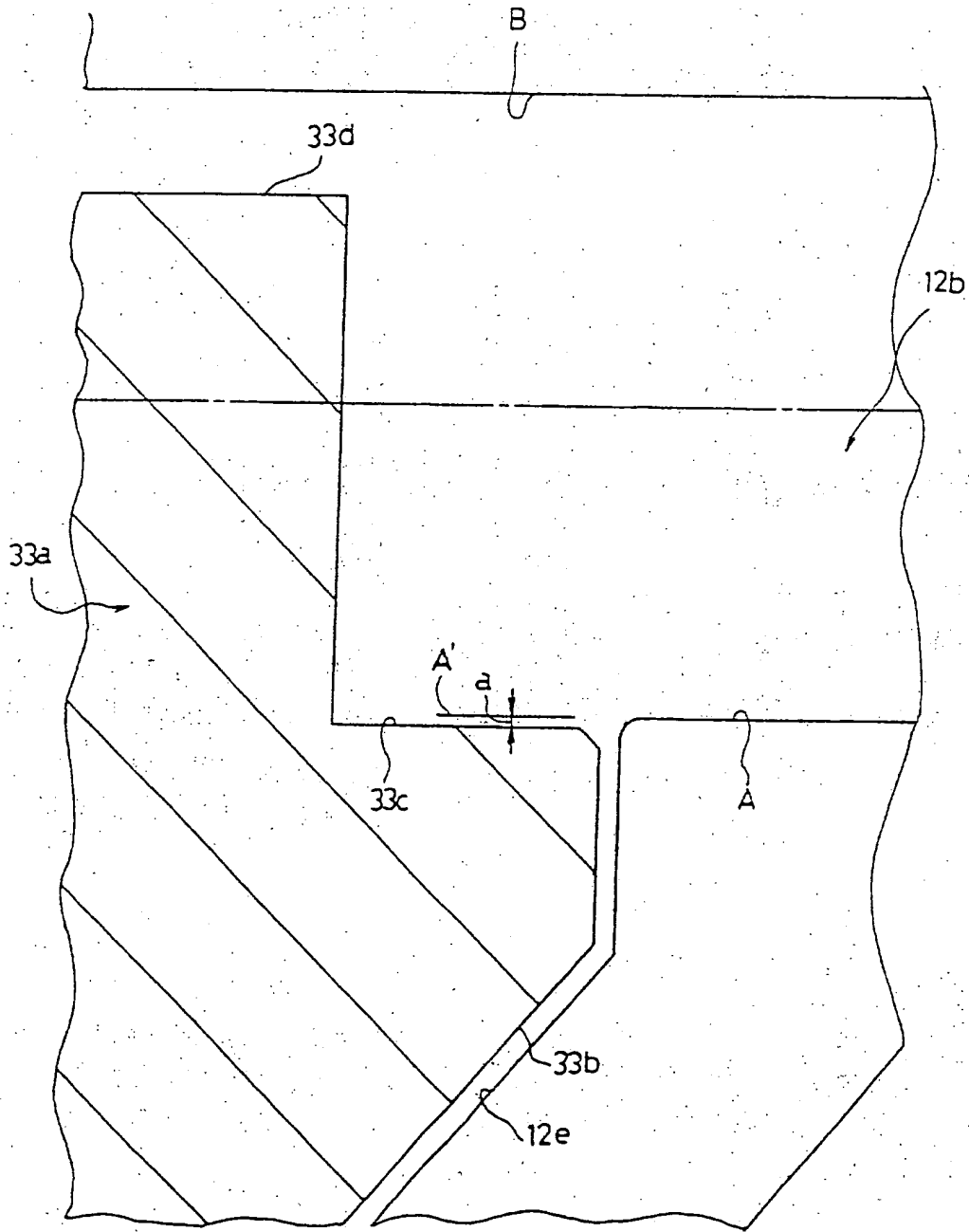
Fig. 7





7 / 31

Fig. 8



8 / 31

Fig. 9

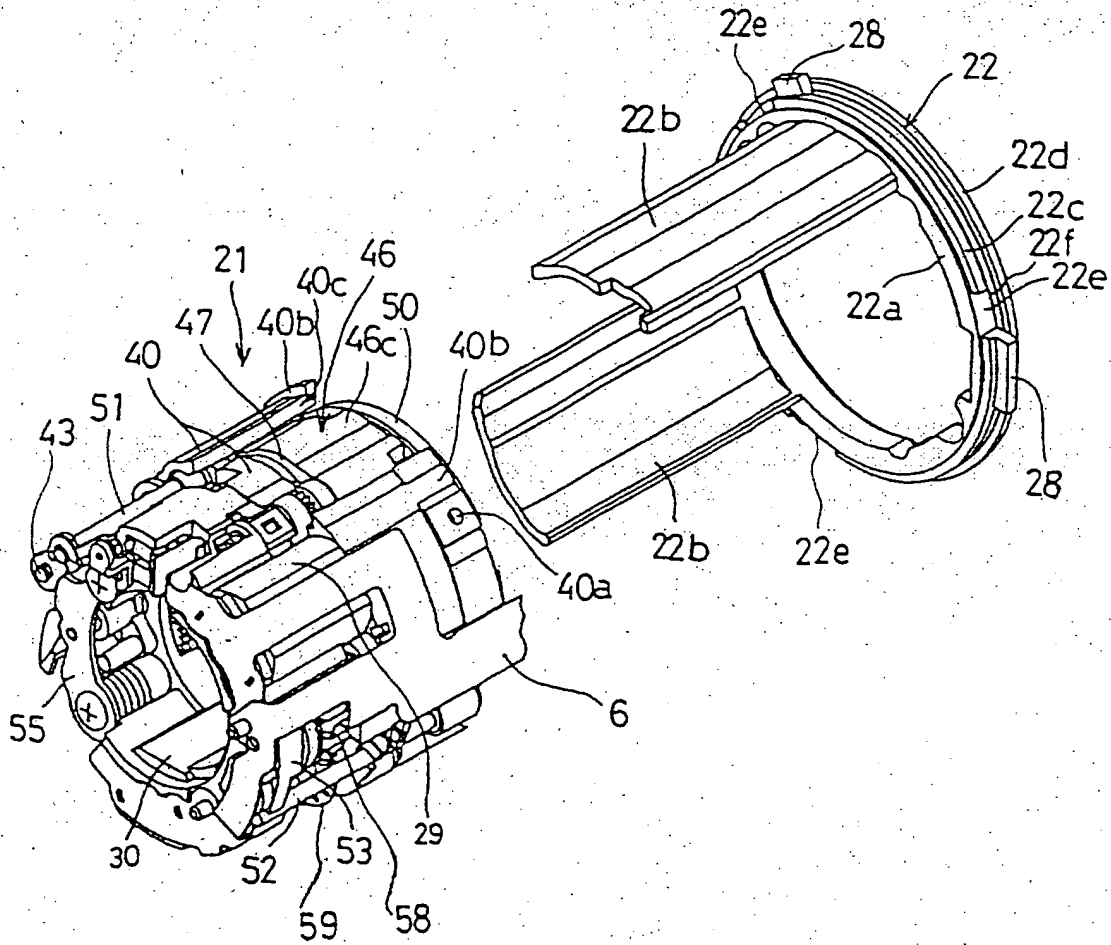
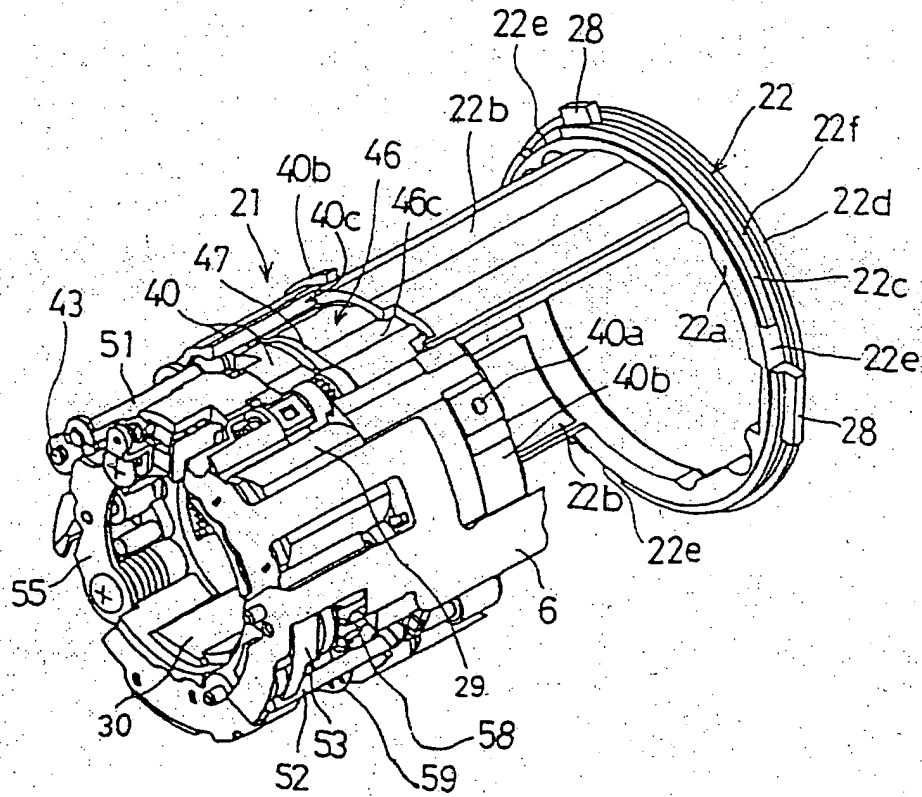


Fig. 10



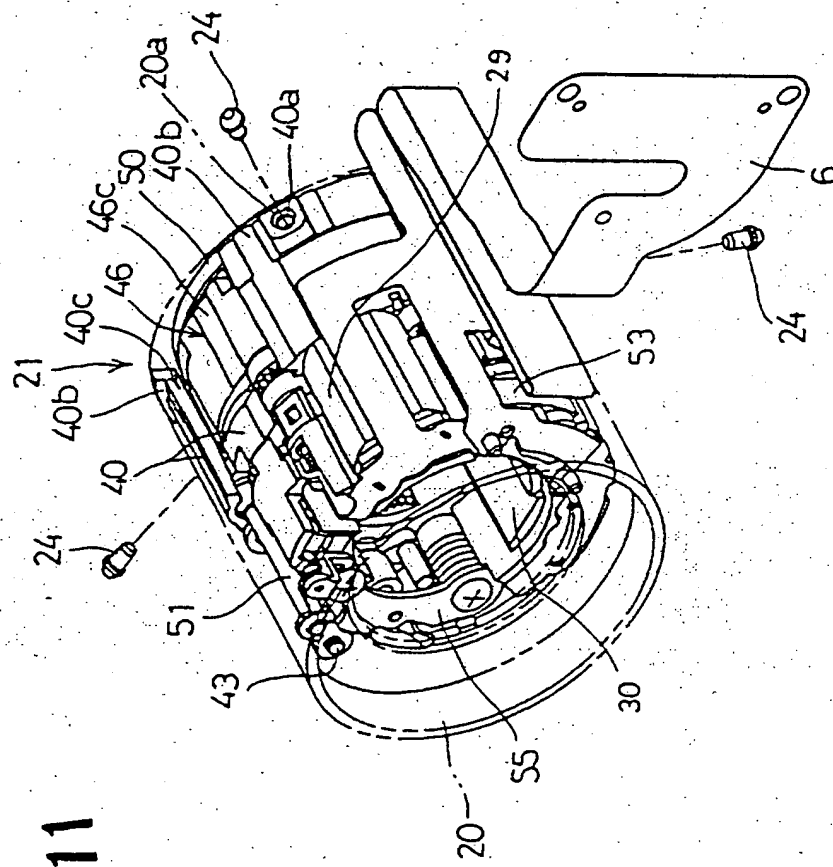


Fig.11

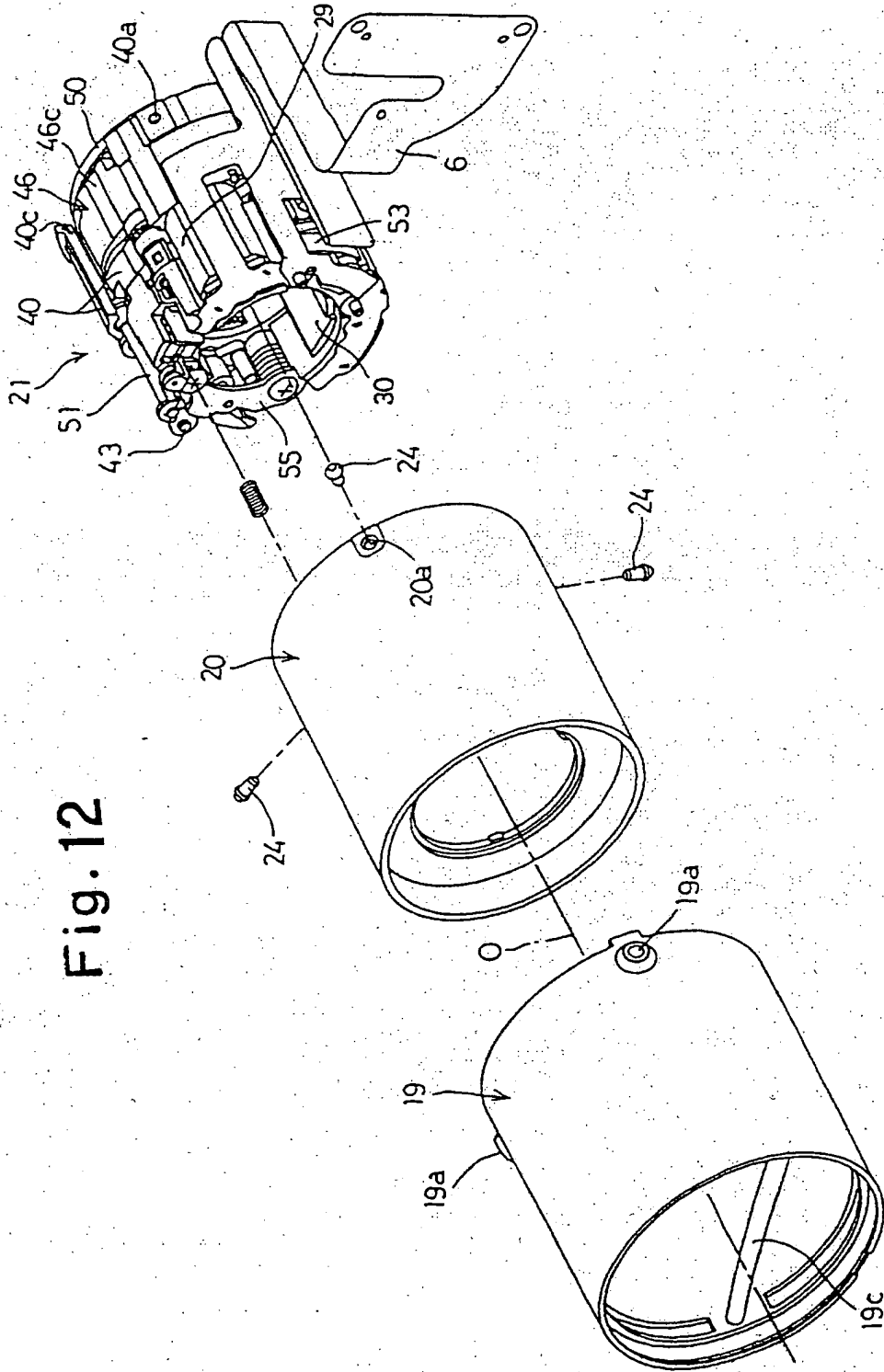


Fig. 12

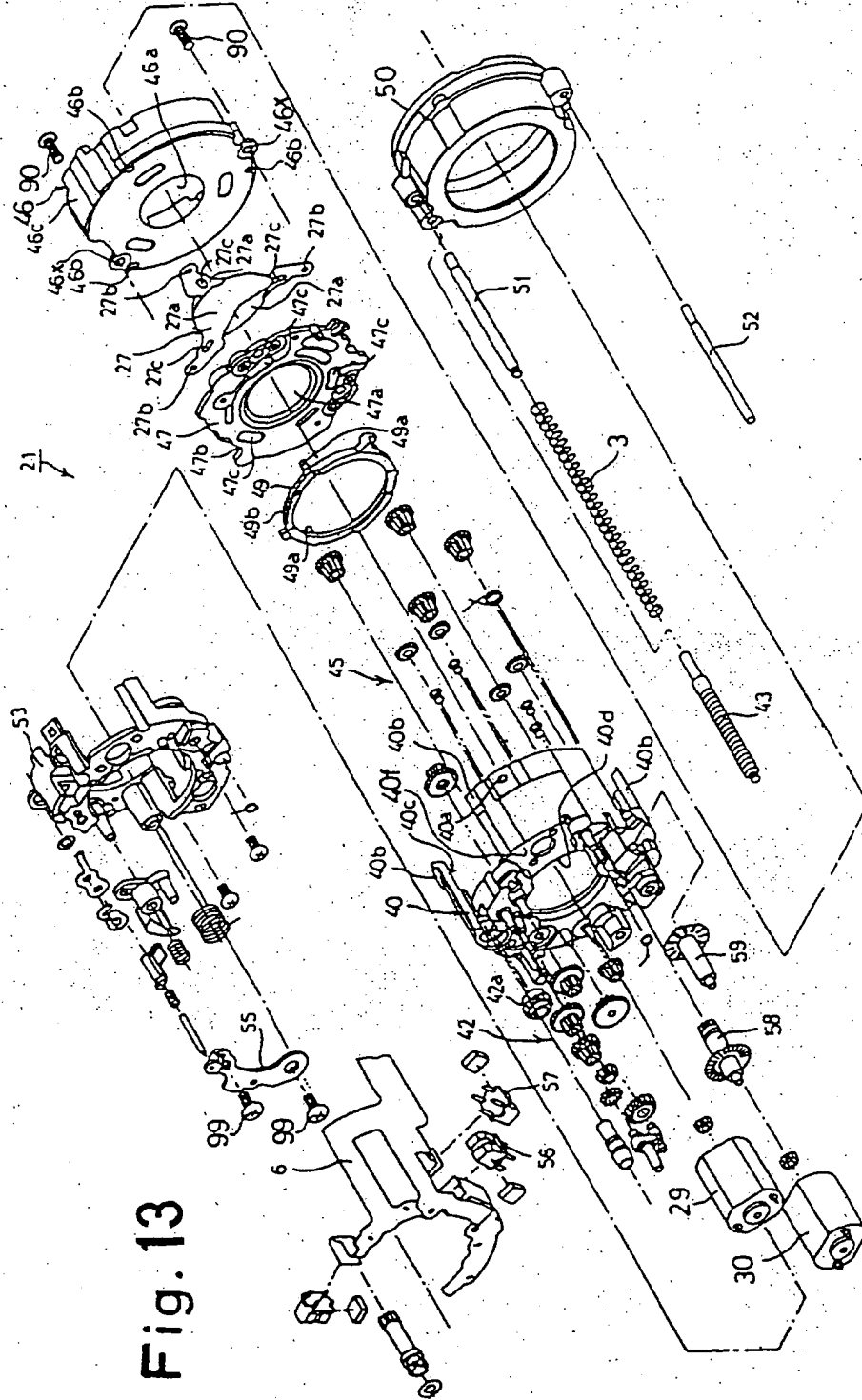


Fig. 13

Fig. 14

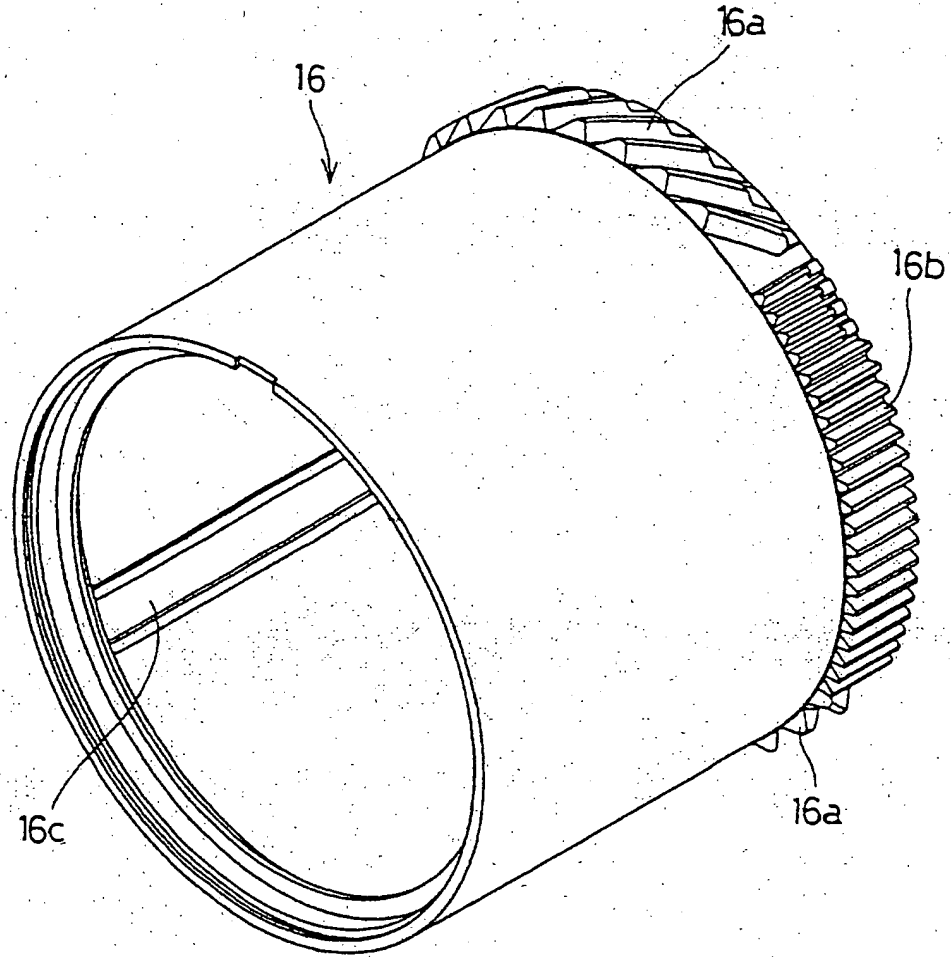
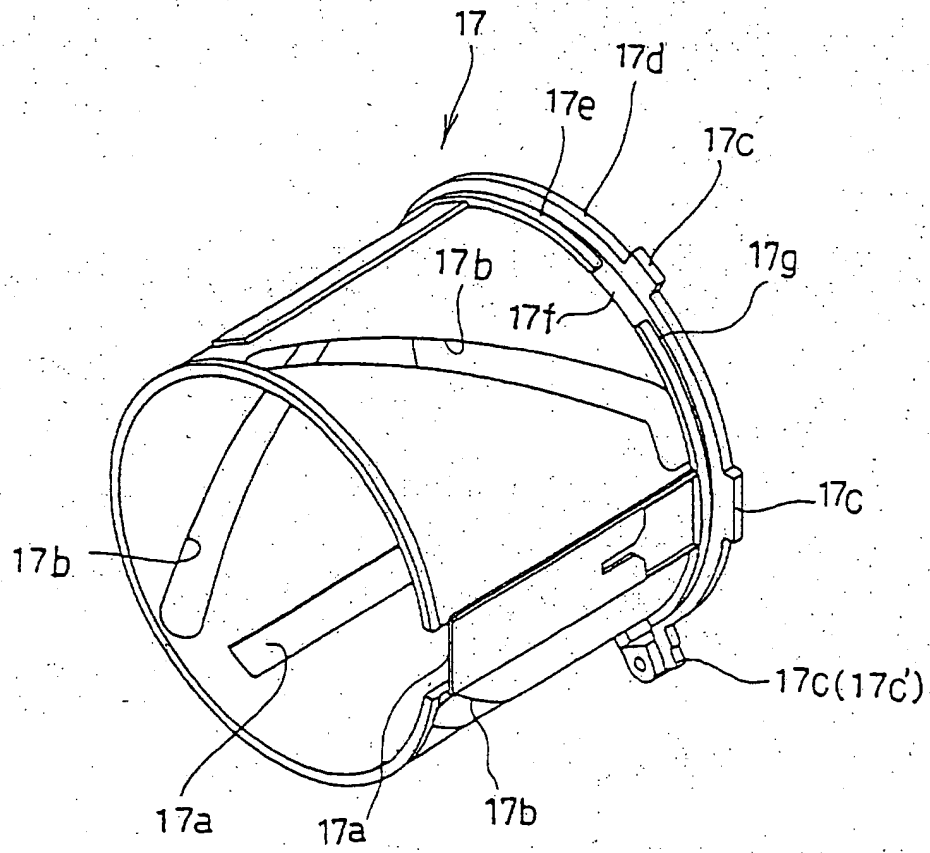


Fig. 15





15 / 31

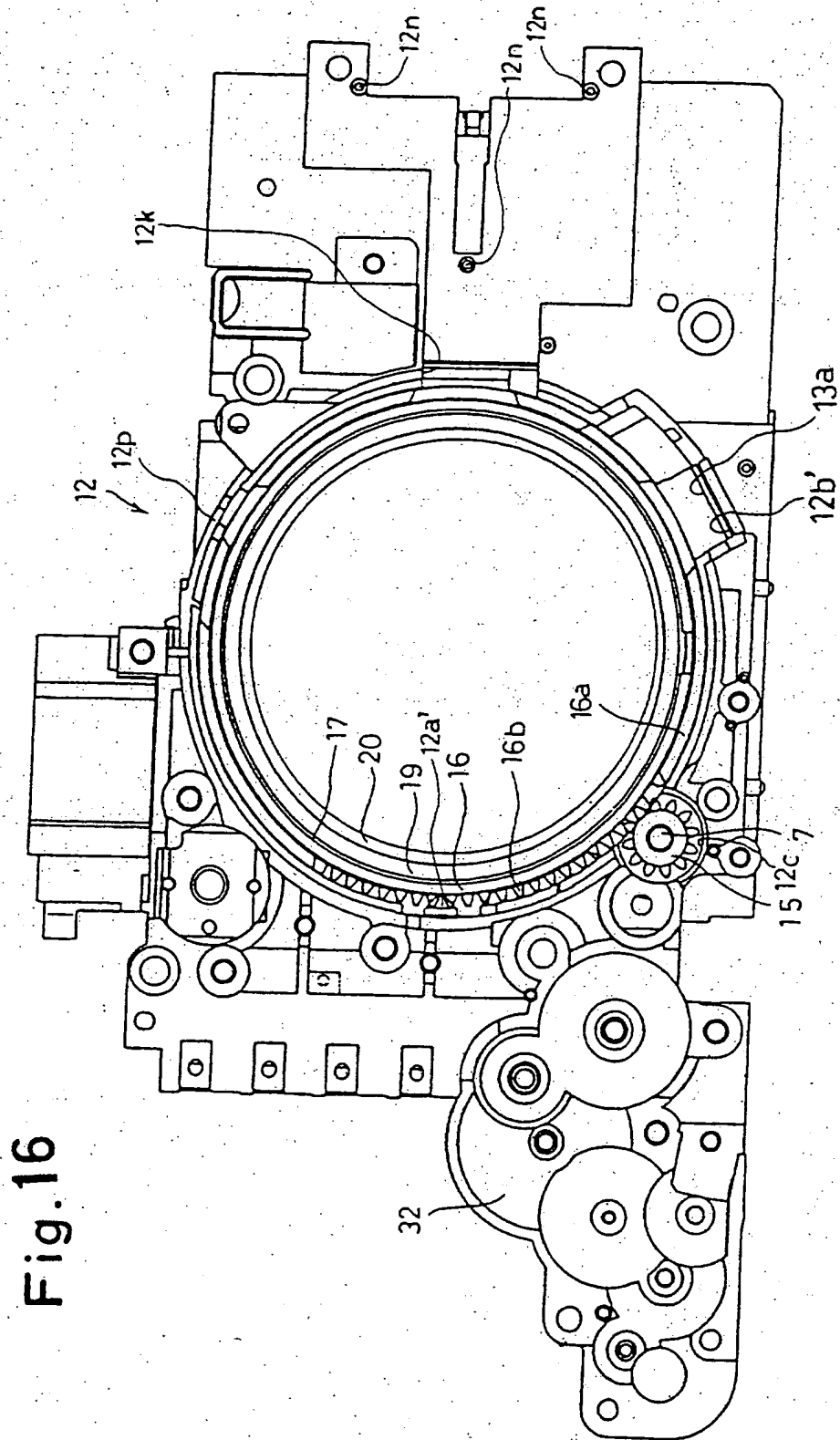


Fig. 16

Fig. 17

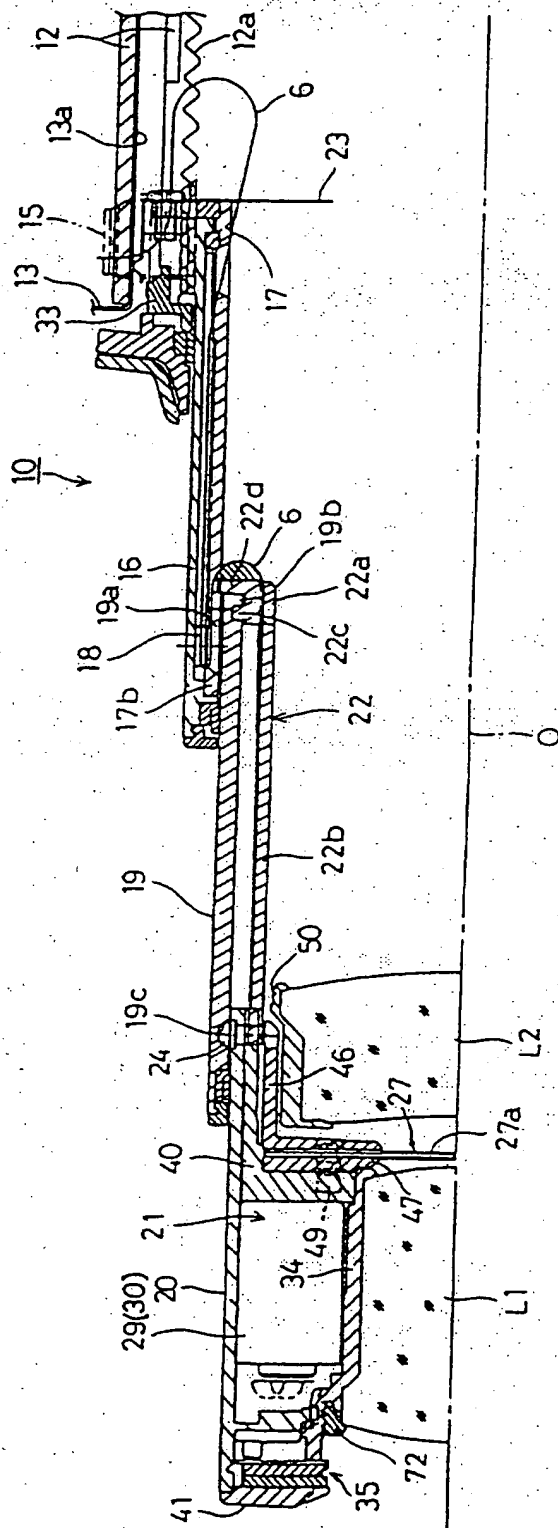


Fig. 18

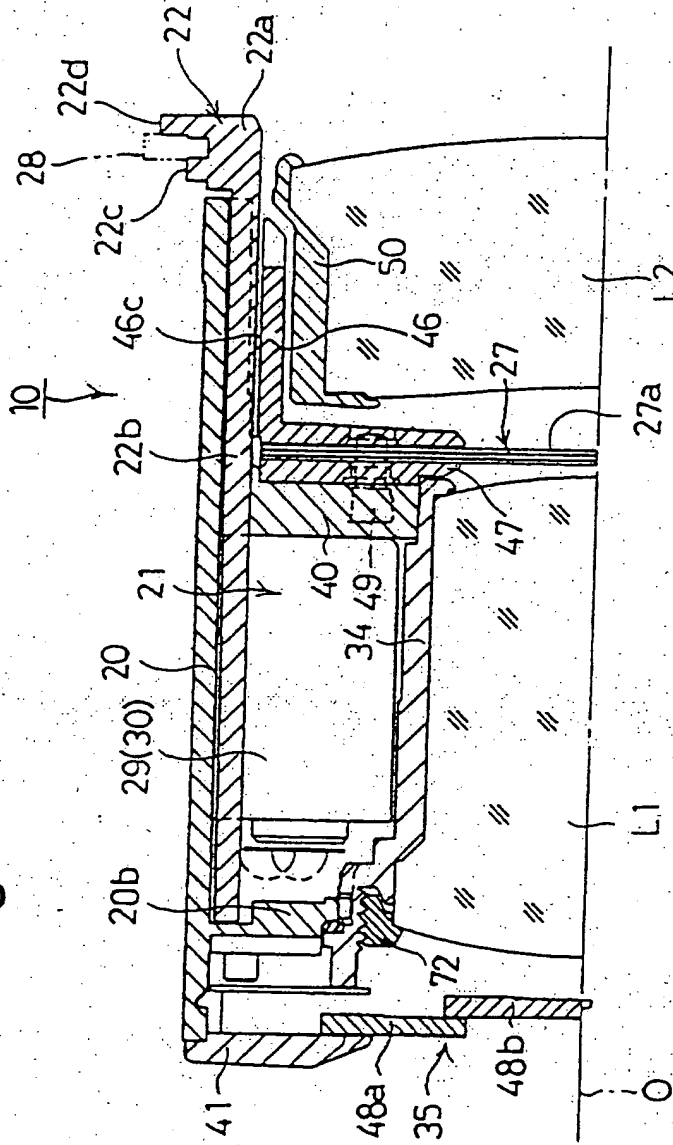
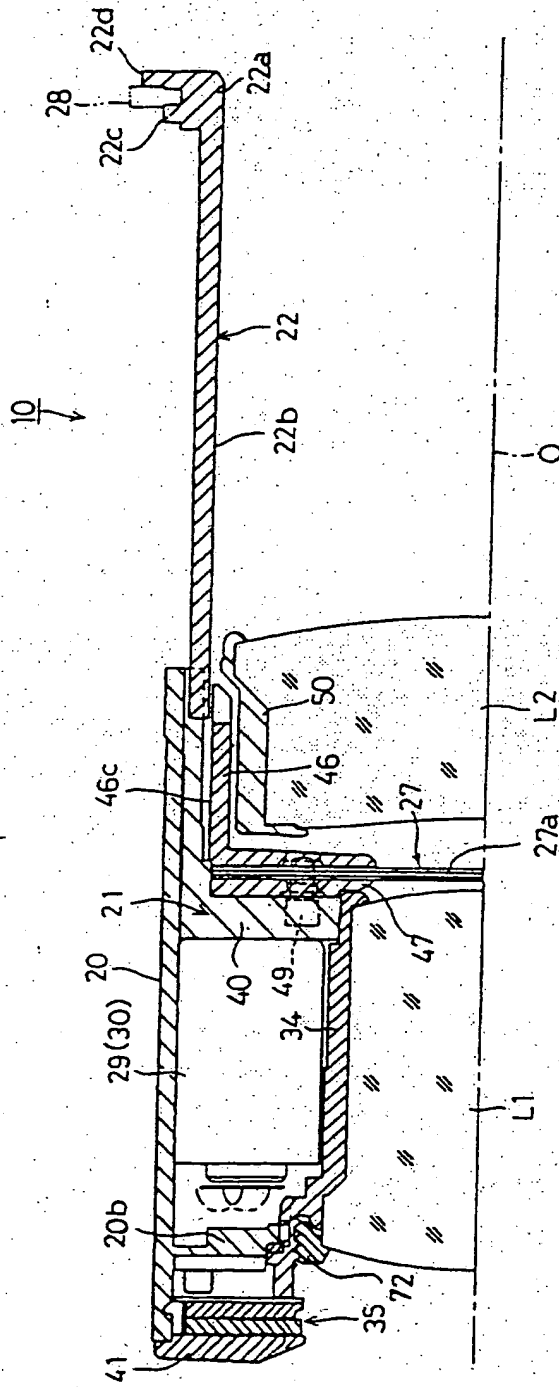


Fig.19



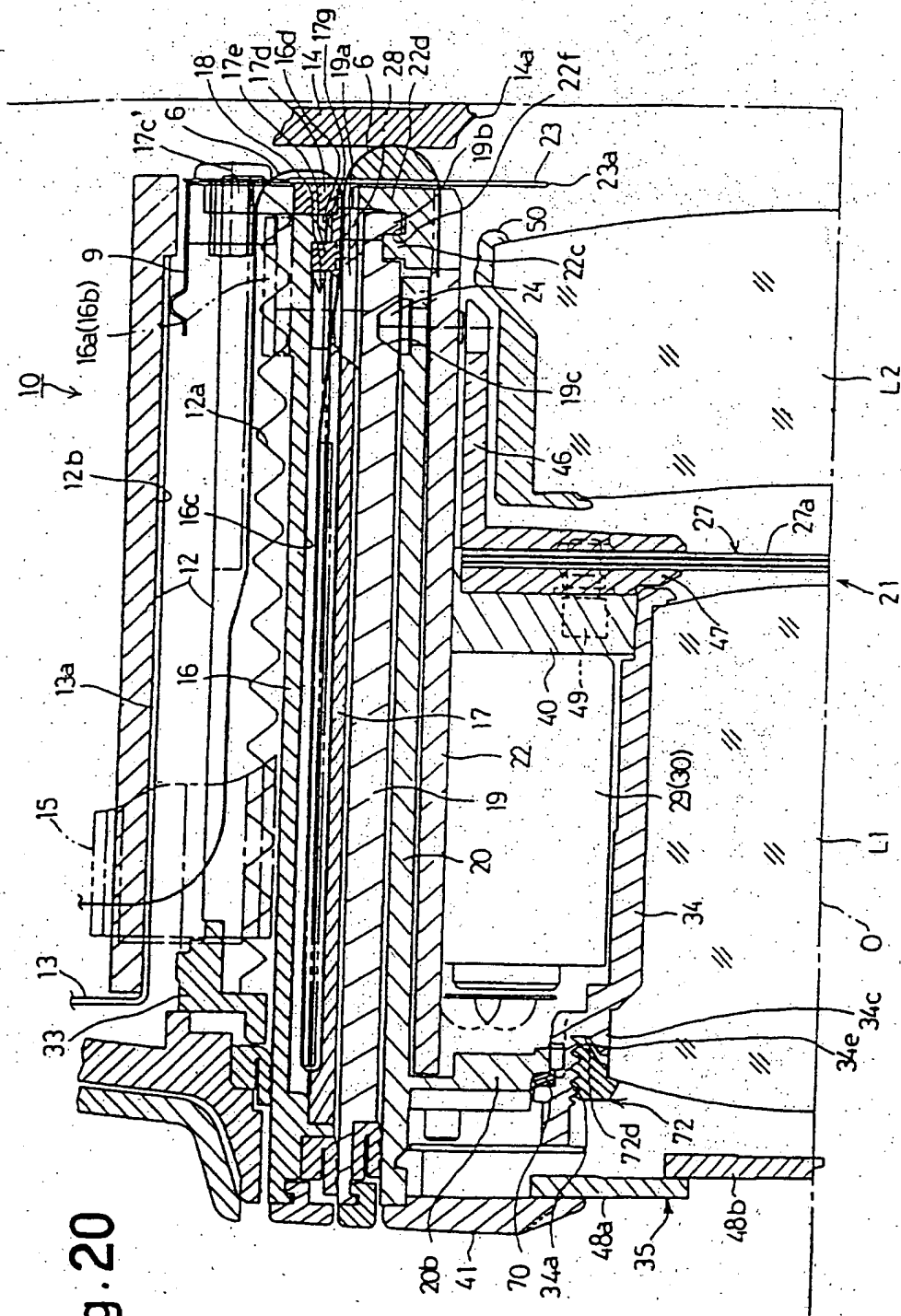
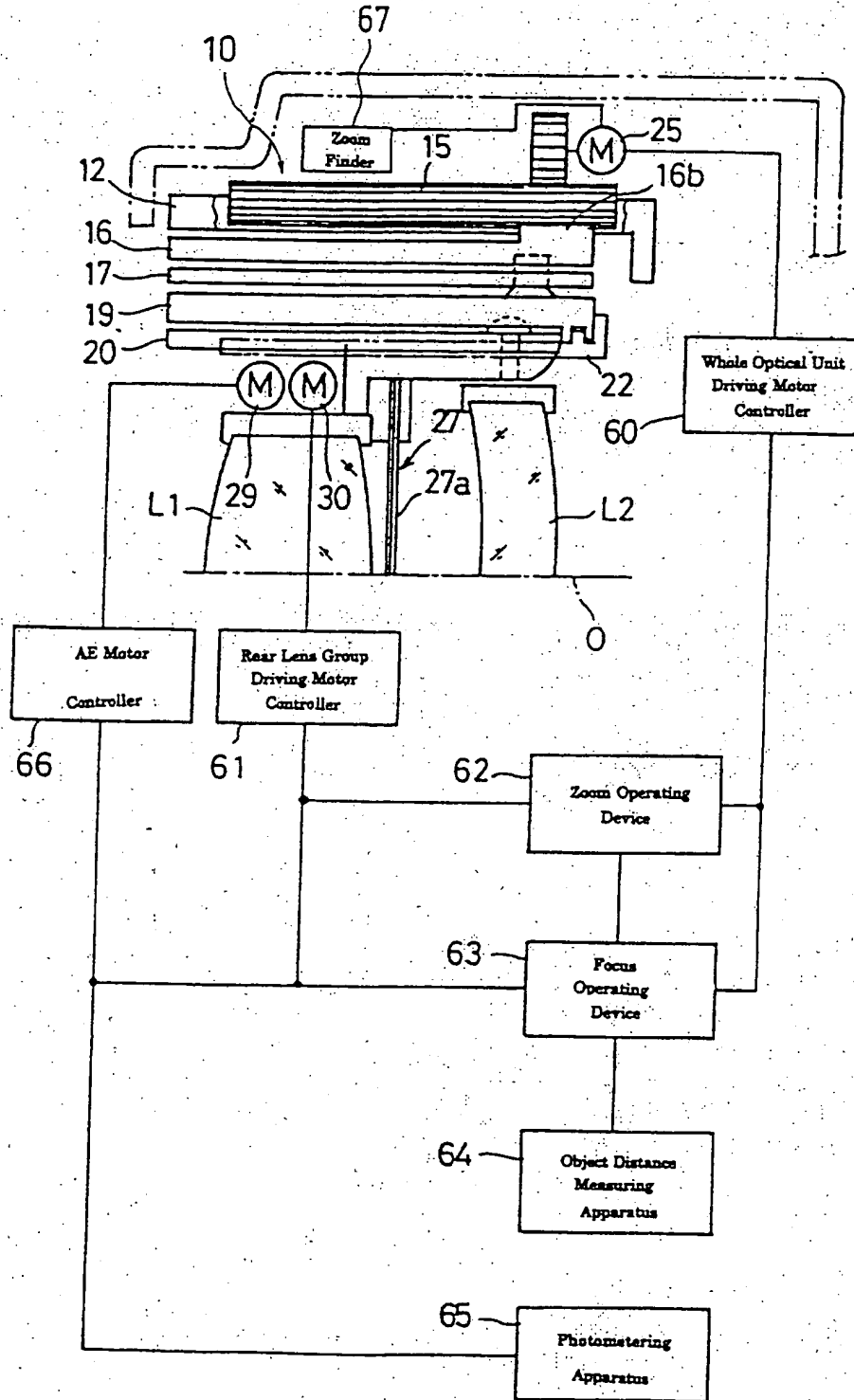


Fig. 20



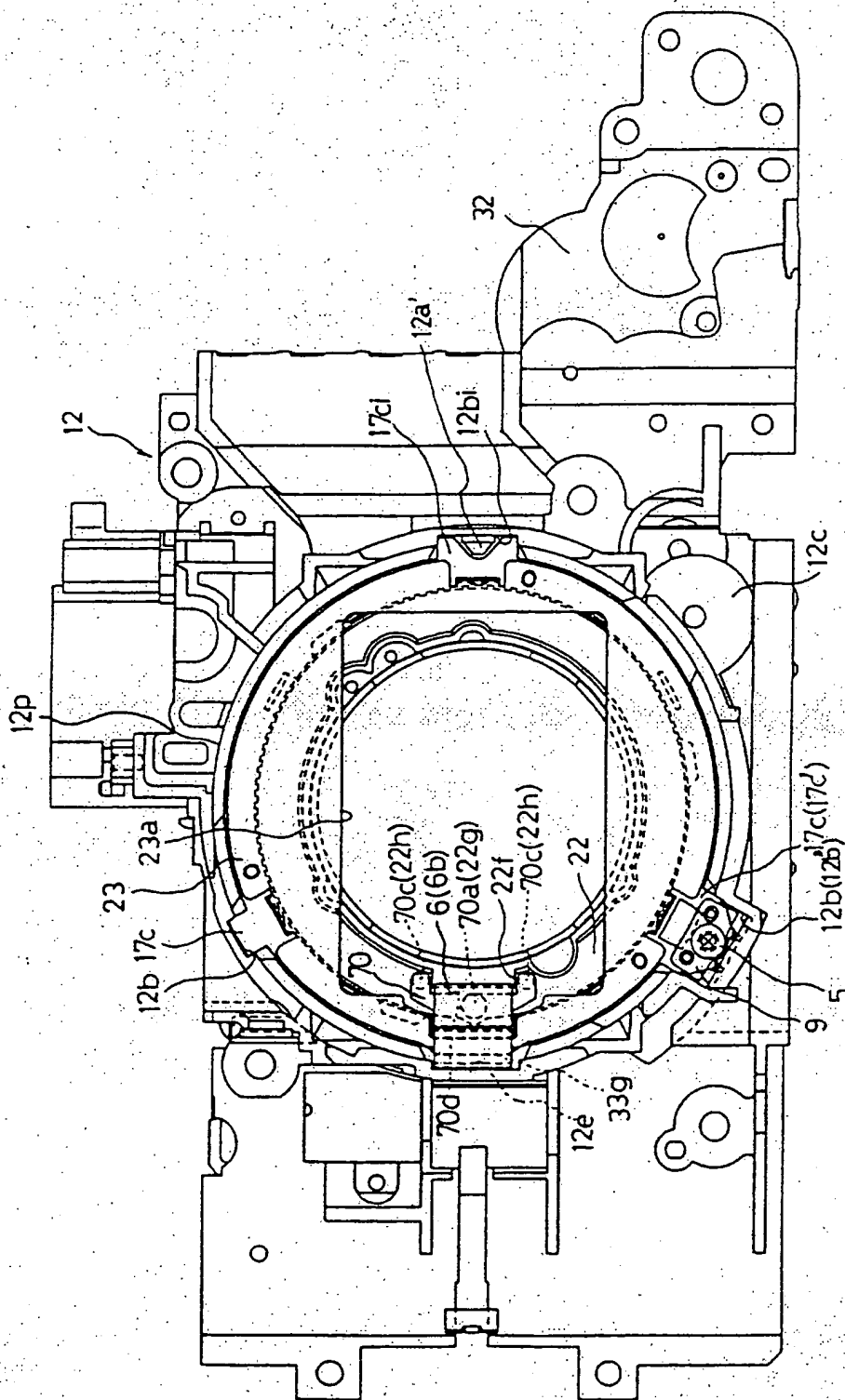
21 / 31

Fig. 22

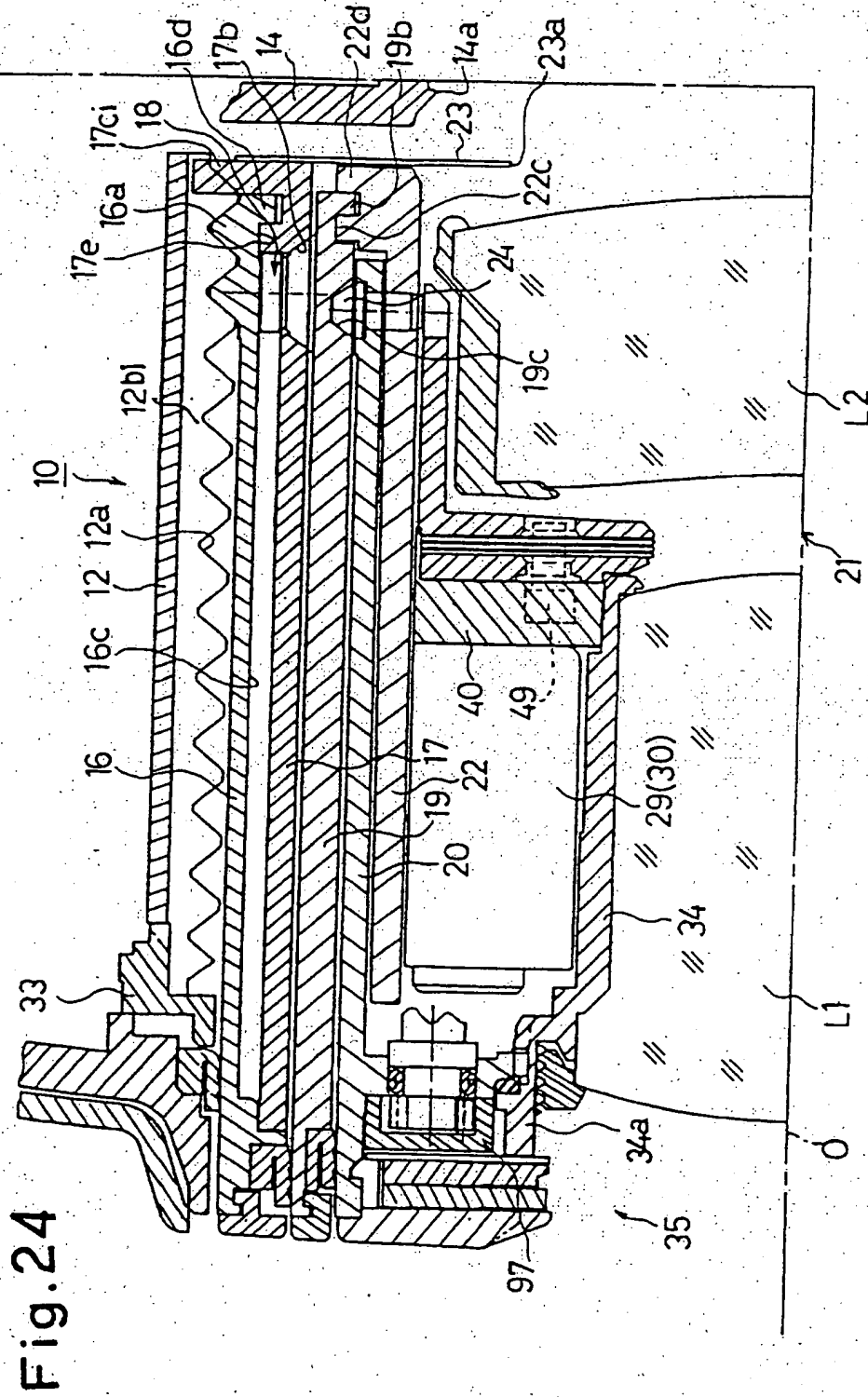


22 / 31

Fig. 23

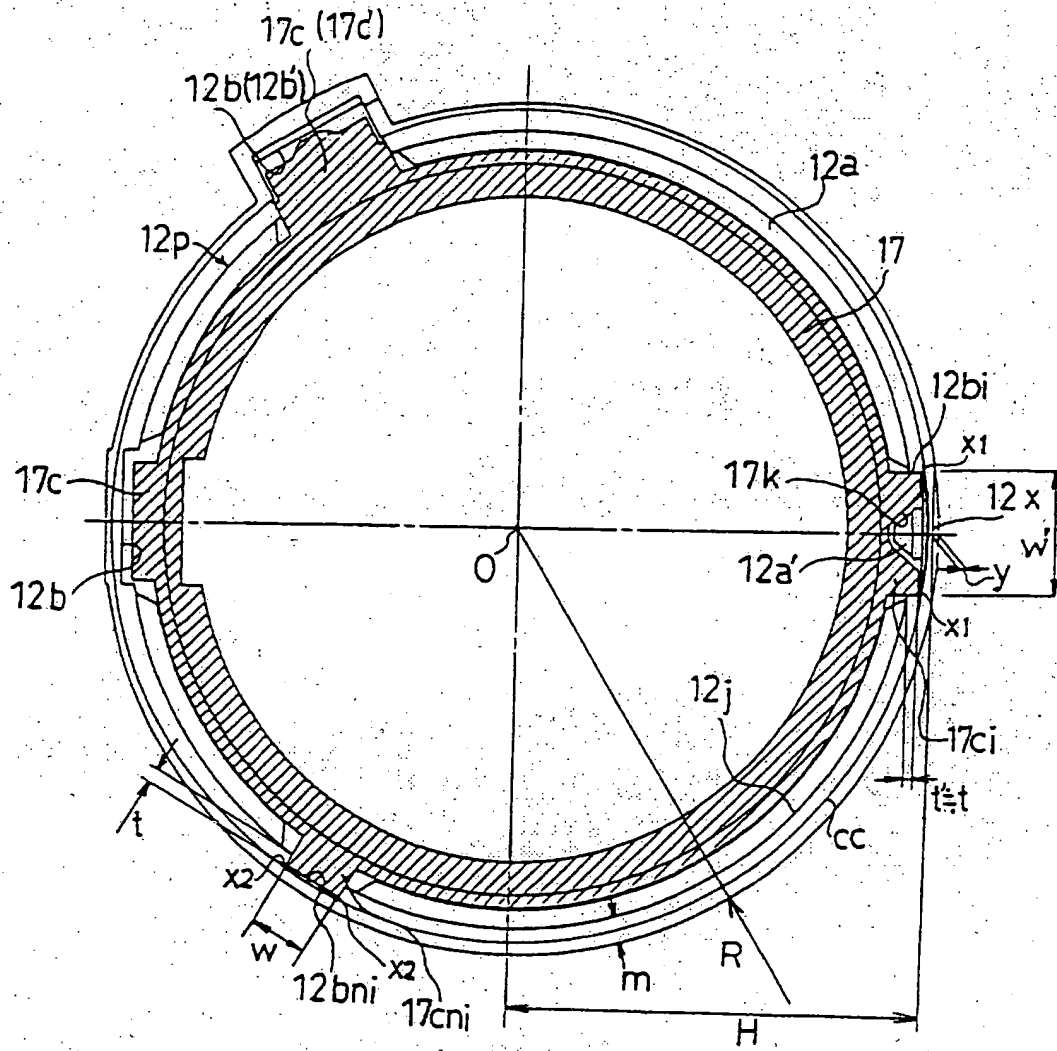






24 / 31

Fig. 25



25 / 31

Fig. 26

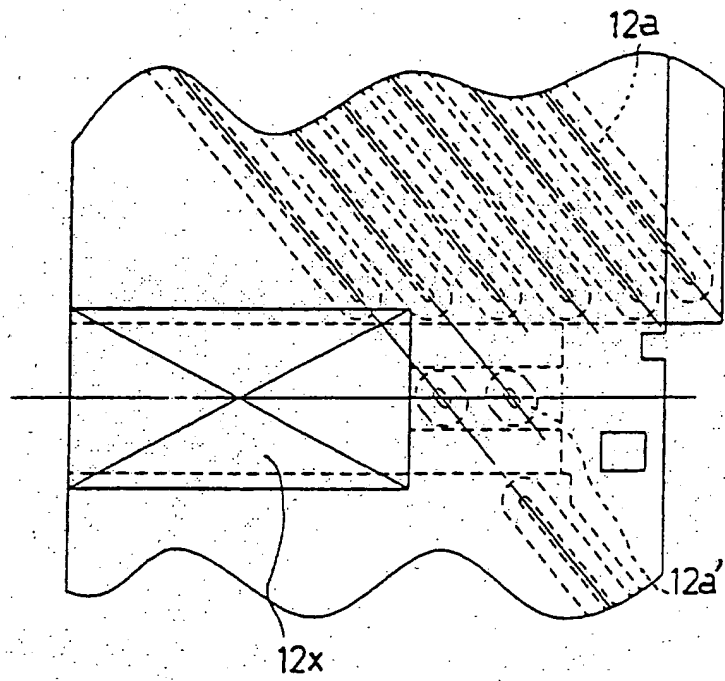
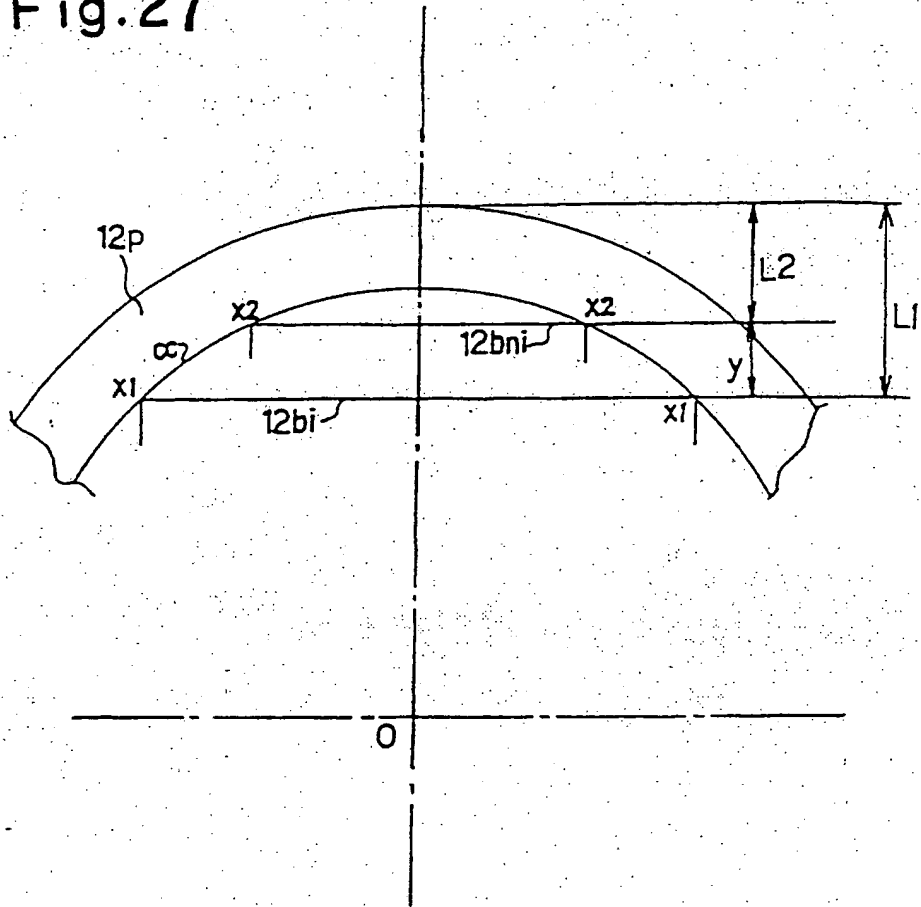
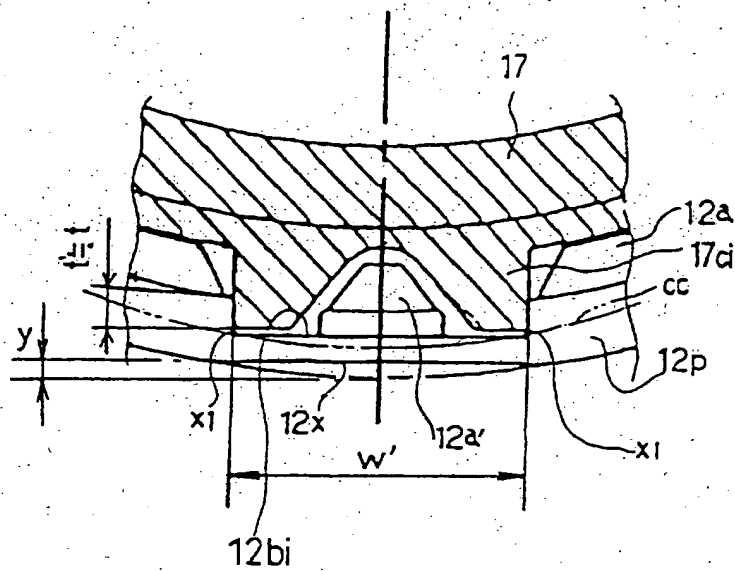


Fig.27



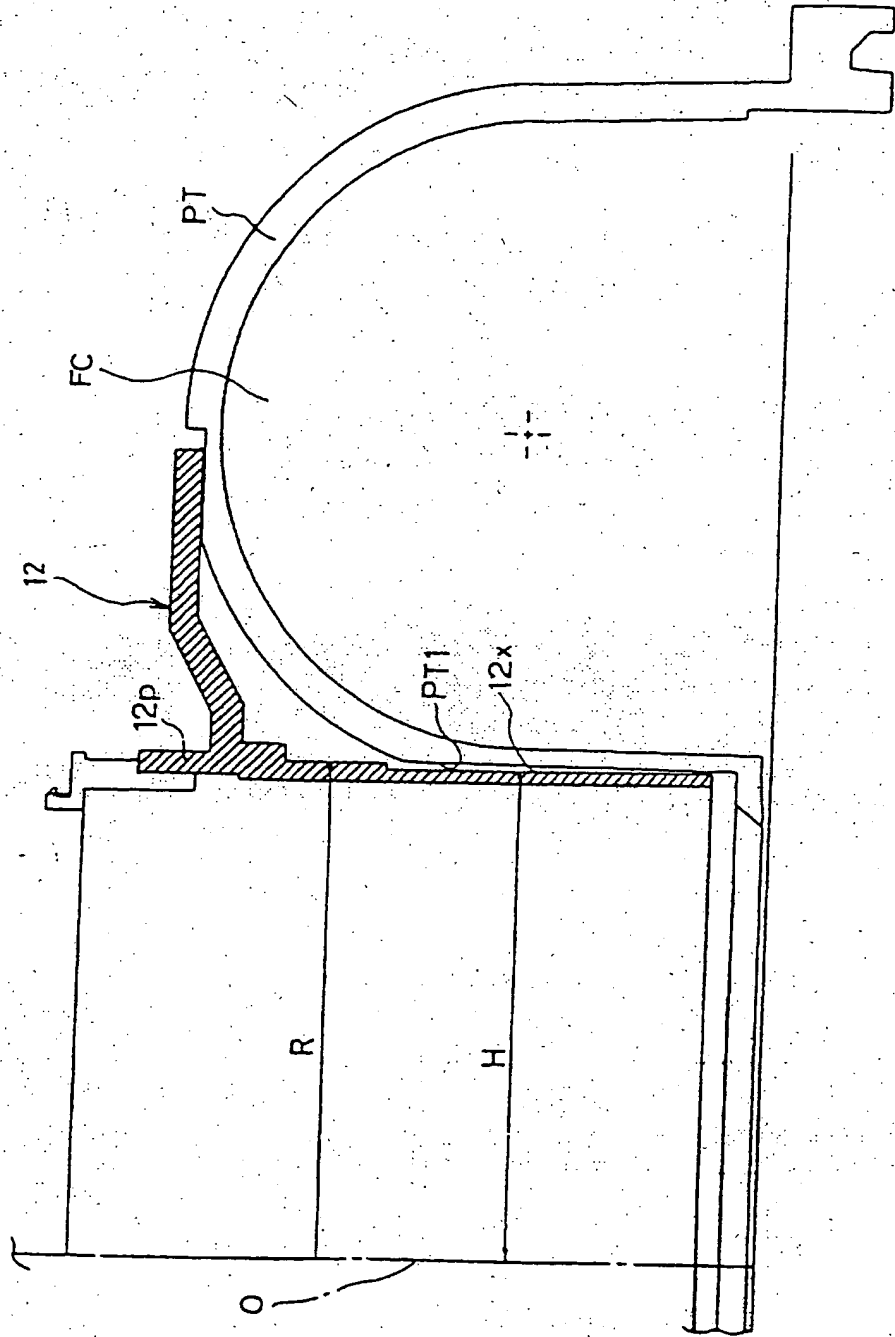
27 / 31

Fig.28



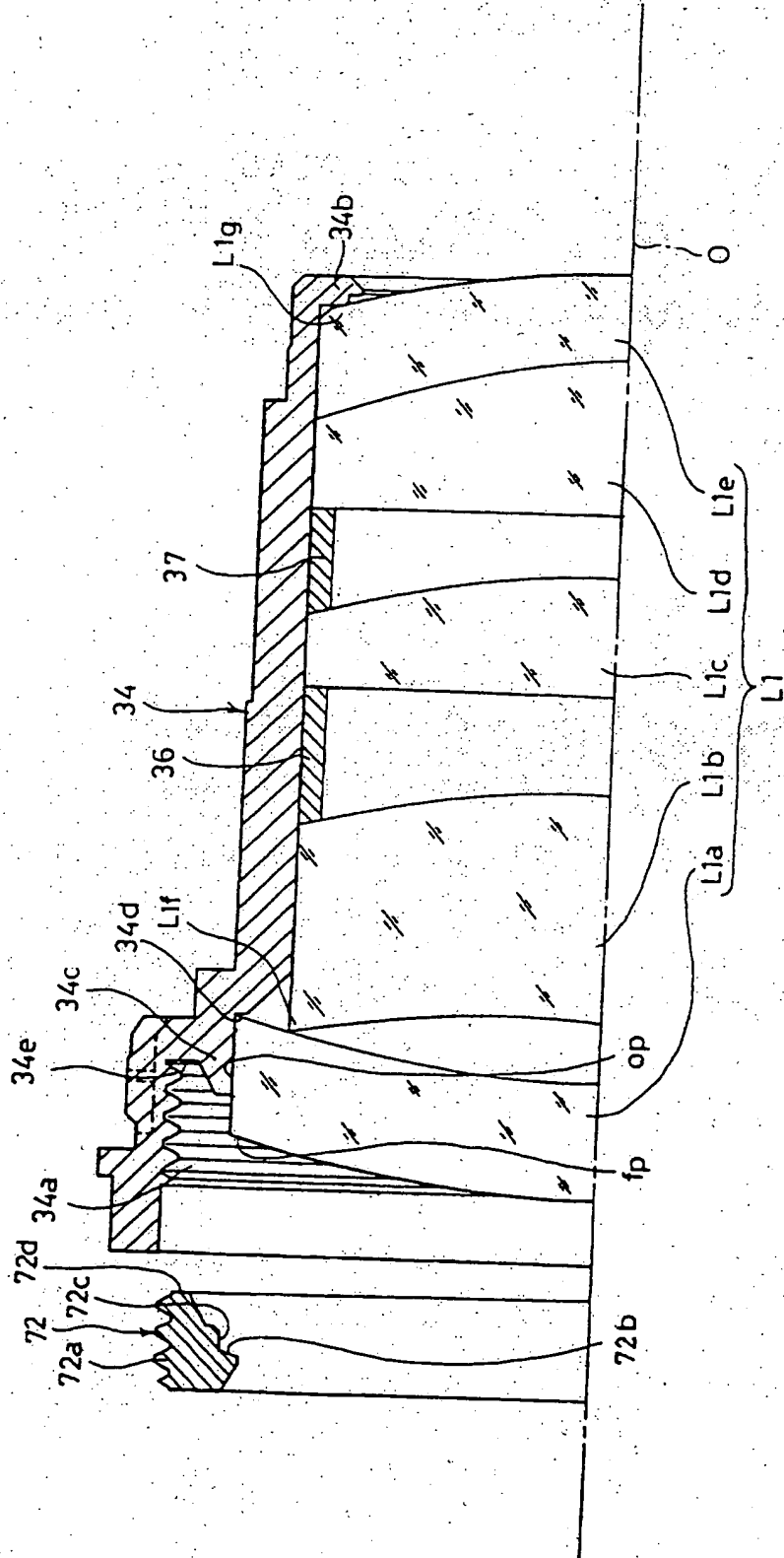
28 / 31

Fig.29



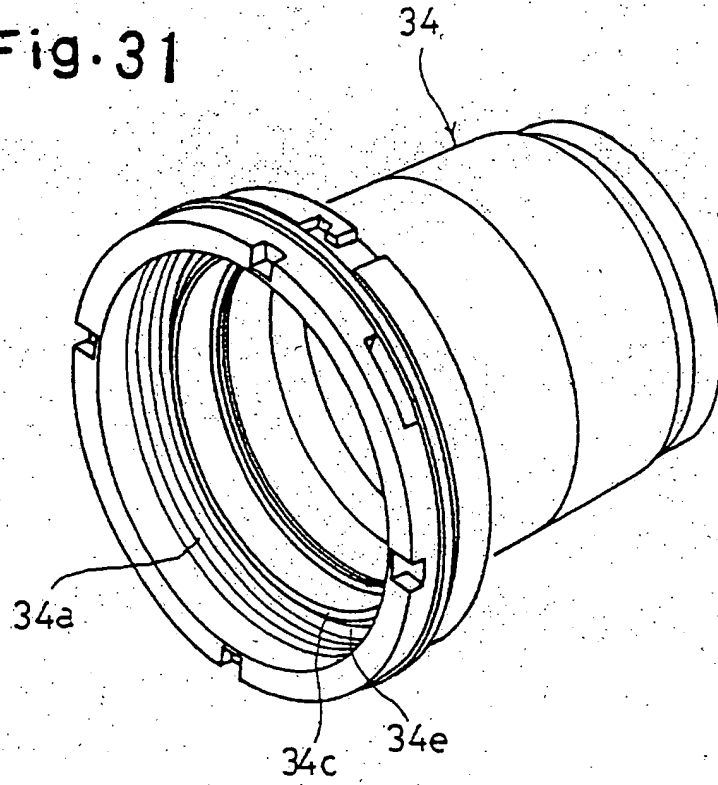
29 / 31

Fig. 30



30 / 31

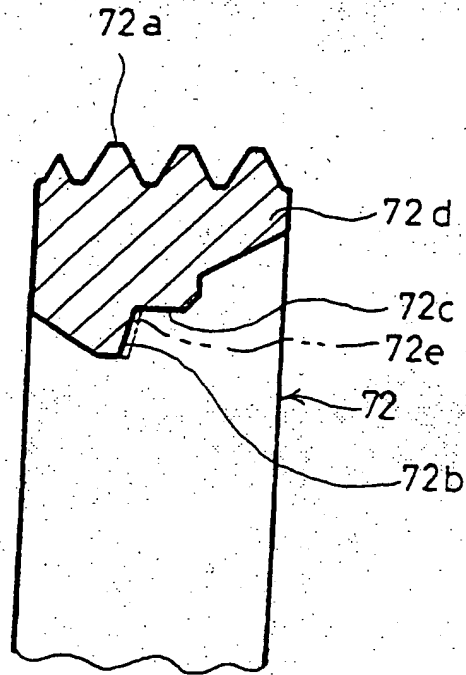
Fig. 31





31 / 31

Fig. 32



**2309551**

1.

**LENS BARREL HAVING A LINEAR GUIDE MECHANISM**

The present invention relates to a lens barrel having a linear guide mechanism for guiding a linear moving barrel, provided in the lens barrel, along an optical axis thereof, without rotating about the optical axis.

A conventional lens-shutter type of zoom lens camera having a telescoping type of zoom lens barrel, is widely known. In such a type of zoom lens camera, a zoom lens barrel unit is usually assembled separately from a main body (camera body) of the camera, before being installed in a housing of the camera body. The housing of the camera body is usually provided on an inner peripheral surface thereof with a female helicoid and a plurality of linear guide grooves intersecting the female helicoid and extending in the optical axis direction. With the camera body having such a housing, the zoom lens barrel unit is usually installed using the following method. Namely, the zoom lens barrel unit is firstly inserted into the housing from a rear of the housing. Subsequently, the male helicoid, formed on an outer peripheral surface of the outermost barrel of the

zoom lens barrel unit, is brought into mesh with the female helicoid, formed on an inner periphery of the housing. Thereafter, a linear guide plate, provided with a plurality of radial follower projections, is secured to the rear end of the outermost barrel, with the plurality of follower projections engaging with the plurality of linear guide grooves of the housing.

With such an installing method, it is necessary to carry out several processes to install the zoom lens barrel unit in the housing of the camera body. This is troublesome, and increases installation time.

When a lens barrel is designed having a guide groove or a cam groove formed on an inner peripheral surface thereof which engages with a follower projection provided on a predetermined member to guide the same along the groove, the width and depth of the groove, which are considered to be sufficient to maintain the mechanical strength of the lens barrel, are firstly determined before the whole dimension of the lens barrel (thickness, diameter, etc.) is determined. Therefore, in general, such a lens barrel having a guide or cam groove tends to be designed as a member which is too thick and too large.

An object of the present invention is to provide a lens

barrel having a linear guide mechanism for guiding a linear moving barrel along an optical axis, which is space-efficient and simplifies the process necessary for installing the zoom lens barrel unit in the housing of the camera.

Another object of the present invention is to provide a lens barrel having a linear guide mechanism for guiding a linear moving barrel along an optical axis, which makes it possible to realize a small-sized lens barrel, while maintaining a sufficient mechanical strength of the lens barrel.

According to an aspect of the present invention, there is provided a lens barrel including: an outer barrel provided on an inner periphery thereof with a first thread and at least one linear guide groove intersecting the first thread and extending in a direction of an optical axis of the lens barrel; a middle barrel provided on an outer periphery thereof with a second thread meshing with the first thread; an inner barrel positioned inside the middle barrel, the inner barrel being provided with at least one follower which engages with the at least one linear guide groove, so that the inner barrel is guided along the optical axis without rotating about the optical axis with respect to the outer barrel; and a recess formed at a front end of each of the at

least one linear guide groove on the inner periphery of the outer barrel, the recess having a width dimension to enable rotational movement of the at least one follower into the at least one linear guide groove during initial meshing of the middle barrel with the outer barrel. With this structure, the recess is used not only for bringing the middle barrel into mesh with the outer barrel but also for forming part of the linear guide groove. Thus, the recess is space-efficiently formed on a front part of the outer barrel, which contributes to the realization of a small and compact lens barrel.

Preferably, the lens barrel further includes an annular retaining member which engages with a front end of the outer barrel, after the middle barrel has been engaged with the outer barrel.

Preferably, the annular retaining member is provided with at least one engaging projection which engages with the at least one recess.

Preferably, the at least one engaging projection has a surface determining a front extremity of the at least one linear guide groove.

Preferably, the at least one linear guide groove is defined between a first side surface and a second side surface formed on the inner periphery of the outer barrel, the first and the second side surfaces extending in the

direction of the optical axis, and wherein the at least one engaging projection is provided with a linear guide surface which together with the first side surface linearly guides the at least one follower.

Preferably, a distance between the first side surface and the second side surface is less than a distance between the linear guide surface and the second side surface.

Preferably, the recess is provided with a surface inclined parallel to the first thread.

Preferably, the outer barrel is formed integral with a stationary block provided inside a camera body.

Preferably, the middle barrel is movable along the optical axis together with the inner barrel without varying a distance therebetween, while the middle barrel rotates about the optical axis relative to the inner barrel.

Preferably, the at least one follower is formed at a rear end of the inner barrel outwardly in a radial direction of the inner barrel to engage with the at least one linear guide groove.

Preferably, the at least one engaging projection is provided with an engaging claw which projects outwardly in a radial direction of the annular retaining member, the engaging claw engaging with a hole formed in the recess.

Preferably, the lens barrel further includes at least one projection formed at a bottom of the at least one linear

6

guide groove, the at least one projection engaging with the second thread so as to function as a part of the first thread.

Preferably, the at least one follower and the at least one linear guide groove are each formed to have a width greater than a predetermined minimum width and a height equal to a predetermined minimum height.

Preferably, the at least one projection is formed substantially in a middle of the at least one linear guide groove in a circumferential direction of the outer barrel.

According to another aspect of the present invention, there is provided a lens barrel including: an outer barrel provided on an inner periphery thereof with a first thread and a plurality of linear guide grooves each intersecting the first thread and extending in a direction of an optical axis of the lens barrel; a middle barrel provided on an outer periphery thereof with a second thread meshing with the first thread, so that the middle barrel is movable along the optical axis while rotating about the optical axis with respect to the outer barrel; an inner barrel positioned inside the middle barrel and moved together with the inner barrel along the optical axis, the inner barrel being provided at a rear end thereof with a plurality of followers which respectively engage with the plurality of linear guide grooves, so that inner barrel is guided along the optical

axis without rotating about the optical axis with respect to the outer barrel; a plurality of recesses each formed at a front end of a corresponding one of the plurality of linear guide grooves on the inner periphery of the outer barrel, the plurality of recesses each having a width greater than the corresponding one of the plurality of linear guide grooves; and an annular retaining member for preventing the middle barrel from disengaging from the outer barrel, the annular retaining member being provided with a plurality of engaging projections each extending in the direction of the optical axis to engage with a corresponding one of the plurality of recesses, the annular retaining member being secured to a front end of the outer barrel, after the middle barrel has been engaged with the outer barrel, with the plurality of engaging projections respectively engaged with the plurality of linear guide grooves.

According to yet another aspect of the present invention, there is provided a lens barrel including: an outer barrel provided on an inner periphery thereof with a first thread; a middle barrel provided on an outer periphery thereof with a second thread meshing with the first thread of the outer barrel; an inner barrel positioned inside the middle barrel and provided with at least one follower; an annular retaining member secured to a front end of the outer barrel for preventing the middle barrel from disengaging



from the outer barrel; at least one linear guide groove which extends in a direction of an optical axis of the lens barrel and with which the at least one follower engages, wherein a part of the at least one linear guide groove is formed on the annular retaining member and a remaining part of the at least one linear guide groove is formed on an inner periphery of the outer barrel.

In relation to the latter object mentioned above, according to another aspect of the present invention, there is provided a lens barrel including: a barrel provided on an inner periphery thereof with a linear guide groove extending in a direction of an optical axis of the lens barrel; and an annular member arranged concentrically with the barrel, the annular member being provided with a follower which engages with the linear guide groove so that the annular member is guided along the optical axis without rotating about the optical axis relative to the barrel, wherein a part of an outer periphery of the barrel which is located adjacent to the linear guide groove is formed as a plane surface, and further wherein a distance between the plane surface and the optical axis is shorter than a distance between the optical axis and a part of the outer periphery of the barrel which is not formed as the plane surface.

Preferably, a bottom of the linear guide groove is formed as a plane bottom surface extending in the direction

of the optical axis and perpendicular to a radial direction of the barrel, the plane surface being formed parallel to the plane bottom surface.

Preferably, the lens barrel further includes: a first thread formed on the inner periphery of the barrel so that the linear guide groove extends within the first thread; a rotational barrel positioned inside the barrel and provided with a second thread which meshes with the first thread so that the rotational barrel is movable along the optical axis while rotating about the optical axis relative to the barrel; and at least one projection formed at a bottom of the linear guide groove, the at least one projection engaging with the second thread so as to function as a part of the first thread.

Preferably, the follower and the linear guide groove are each formed to have a width greater than a predetermined minimum width and a height equal to a predetermined minimum height.

Preferably, the at least one projection is formed substantially in a middle of the linear guide groove in a circumferential direction of the barrel.

According to yet another aspect of the present invention, there is provided a lens barrel including: an outer barrel provided on an inner periphery thereof with a first thread and a linear guide groove intersecting the

first thread and extending in a direction of an optical axis of the lens barrel; a middle barrel provided on an outer periphery thereof with a second thread meshing with the first thread; an inner barrel positioned inside the middle barrel and provided with a follower which engages with the linear guide groove to be guided along the linear guide groove, the middle barrel being movable along the optical axis together with the inner barrel without varying a distance between the middle and the inner barrels while the middle barrel rotates about the optical axis relative to the inner barrel; and at least one projection formed at a bottom of the linear guide groove, the at least one projection engaging with the second thread so as to function as a part of the first thread.

According to yet another aspect of the present invention, there is provided a lens barrel including: a barrel provided on an inner periphery thereof with a plurality of linear guide grooves each extending in a direction of an optical axis of the lens barrel; and an annular member arranged concentrically with the barrel, the annular member being provided with a plurality of followers which respectively engage with the plurality of linear guide grooves so that the annular member is guided along the optical axis without rotating about the optical axis relative to the barrel, wherein a part of the barrel where

one of the plurality of linear guide grooves is formed has a thickness thinner than any other parts of the barrel where the rest of the plurality of linear guide grooves are formed.

An example of the present invention will now

be described below in detail with reference to the accompanying drawings in which similar elements are indicated by similar reference numerals, and wherein:-

Figure 1 is a schematic perspective view of a fixed lens barrel block and a zoom lens barrel unit provided in a zoom lens camera, illustrating a state before the zoom lens barrel unit is installed in the fixed lens barrel block;

Figure 2 is a schematic perspective view of the fixed lens barrel block, the zoom lens barrel unit and an annular fixing member, illustrating a state after the zoom lens barrel unit is installed in the fixed lens barrel block;

Figure 3 is a schematic perspective view of the fixed lens barrel block shown in Figure 1 or 2;

Figure 4 is an enlarged schematic perspective view of a third moving barrel shown in Figure 1 or 2;

Figure 5 is an enlarged schematic perspective view of the annular fixing member shown in Figure 2;

Figure 6 is a schematic developed view of a part of the

fixed lens barrel block shown in Figure 1, 2 or 3, illustrating a linear guide mechanism of the zoom lens barrel unit;

Figure 7 is a schematic developed view of the part of the fixed lens barrel block shown in Figure 6 and a part of the annular fixing member engaged with the fixed lens barrel block, illustrating the linear guide mechanism in a different state from that shown in Figure 6;

Figure 8 is an enlarged view of a part of the view shown in Figure 7;

Figure 9 is an enlarged schematic perspective view showing a part of a zoom lens barrel;

Figure 10 is schematic perspective view showing the part of the zoom lens barrel shown in Figure 9 in an engaged state;

Figure 11 is a schematic perspective view illustrating a state where an AF/AE shutter unit of the zoom lens barrel is mounted to a first moving barrel;

Figure 12 is an enlarged exploded perspective view of a part of the zoom lens barrel;

Figure 13 is an exploded perspective view illustrating main parts of the AF/AE shutter unit of the zoom lens barrel shown in Figure 9, 10, 11 or 12;

Figure 14 is an enlarged schematic perspective view of the third moving barrel shown in Figure 4 shown from a

different angle;

Figure 15 is an enlarged perspective view of a linear guide barrel of the zoom lens barrel;

Figure 16 is a front elevational view of the fixed lens barrel block shown in Figure 3 with other members installed in the fixed lens barrel block;

Figure 17 is a sectional view of an upper part of the zoom lens barrel in a maximum extended state;

Figure 18 is a sectional view of an upper part of the zoom lens barrel, illustrating main elements in a housed state;

Figure 19 is a sectional view of the upper part of the zoom lens barrel shown in Figure 18 in the maximum extended state;

Figure 20 is a sectional view of an upper part of the zoom lens barrel in the housed state;

Figure 21 is an exploded perspective view of the overall structure of the zoom lens barrel;

Figure 22 is a block diagram of a controlling system for controlling an operation of the zoom lens barrel;

Figure 23 is a rear elevational view of the fixed lens barrel block and some other members installed in the fixed lens barrel block, shown in Figure 16;

Figure 24 is a sectional view of an upper part of the zoom lens barrel;

Figure 25 is a sectional view of the fixed lens barrel block and the linear guide barrel 17, showing the state of engagement of engaging projections and linear guide grooves;

Figure 26 is a plan view of a part of a cylindrical portion formed integral with the fixed lens barrel block;

Figure 27 is a diagram illustrating the difference in thickness of the cylindrical portion between a part of the cylindrical portion where one linear guide groove is formed and another part of the cylindrical portion where another guide groove, having a wider width, is formed;

Figure 28 is an enlarged sectional view of an engaging projection and a linear guide groove with which the engaging projection engages;

Figure 29 is a sectional view of the fixed lens barrel block and a wall forming a film chamber of the zoom lens camera;

Figure 30 is a sectional view of an upper part of a lens supporting barrel which supports a front lens group therein, and a lens fixing ring which is to be screw-engaged with the lens supporting barrel;

Figure 31 is an enlarged perspective view of the lens supporting barrel shown in Figure 30; and

Figure 32 is an enlarged sectional view of a part of the lens fixing ring shown in Figure 30.

Figure 22 is a schematic representation of various elements which comprise a preferred embodiment of a zoom lens camera to which the present invention is applied. A concept of the present zoom lens camera will now be described with reference to Figure 22.

The zoom lens camera is provided with a zoom lens barrel (zoom lens) 10 of a three-stage delivery type (telescoping type) having three moving barrels, namely a first moving barrel 20, a second moving barrel 19 and a third moving barrel 16, which are concentrically arranged in this order from an optical axis O. In the zoom lens barrel 10 two lens groups are provided as a photographic optical system, namely a front lens group L1 having positive power and a rear lens group L2 having negative power.

In the camera body, a whole optical unit driving motor controller 60, a rear lens group driving motor controller 61, a zoom operating device 62, a focus operating device 63, an object distance measuring apparatus 64, a photometering apparatus 65, and an AE (i.e., automatic exposure) motor controller 66, are provided. Although the specific focusing system of the object distance measuring apparatus 64, which is used to provide information regarding the object-to-camera distance, does not form part of the present invention, one such suitable system is disclosed in commonly



assigned U.K. Patent Application No. 2298331, filed on February 22, 1996, and published on 28 August 1996.

Although the focusing systems disclosed in U.K. Patent Application No. 2298331 are of the so-called "passive" type, other known autofocus systems (e.g., active range finding systems such as those based on infrared light and triangulation) may be used. Similarly, a photometering system as disclosed in the above-noted U.K. Patent Application No. 2298331 could be implemented as photometering apparatus 65.

The zoom operating device 62 can be provided in the form of, for example, a manually-operable zoom operating lever (not shown) provided on the camera body or a pair of zoom buttons, e.g., a "wide" zoom button and a "tele" zoom button, (not shown) provided on the camera body. When the zoom operating device 62 is operated, the whole optical unit driving motor controller 60 drives a whole optical unit driving motor 25 to move the front lens group L1 and the rear lens group L2, rearwardly or forwardly without regard to a focal length and a focal point thereof. In the following explanation, forward and rearward movements of the lens groups L1 and L2 by the whole optical unit driving motor controller 60 (the motor 25) are referred to as the movement toward "tele" and the movement toward "wide" respectively, since forward and rearward movements of the

lens groups L1 and L2 occur when the zoom operating device 62 is operated to "tele" and "wide" positions.

The image magnification of the visual field of a zoom finder 67 provided in the camera body varies in sequence with the variation of the focal length through the operation of the zoom operating device 62. Therefore, the photographer can perceive the variation of the focal length by observing the variation of image magnification of the visual field of the finder. In addition, the focal length, set by the operation of the zoom operating device 62, may be perceived by a value indicated on an LCD (liquid crystal display) panel (not shown) or the like.

When the focus operating device 63 is operated, the whole optical unit driving motor controller 60 drives the whole optical unit driving motor 25. At the same time the rear lens group driving motor controller 61 drives a rear lens group driving motor 30. Due to the driving of the whole optical unit driving motor controller 60 and the rear lens group driving motor controller 61, the front and rear lens groups L1 and L2 are moved to respective positions corresponding to a set focal length and a detected object distance and thereby the zoom lens is focused on the subject.

Specifically, the focus operating device 63 is provided with a release button (not shown) provided on an upper wall

of the camera body. A photometering switch and a release switch (both not shown) are synchronized with the release button. When the release button is half-depressed (half step), the focus operating device 63 causes the photometering switch to be turned ON, and the object distance measuring and photometering commands are respectively input to the object distance measuring apparatus 64 and the photometering apparatus 65.

When the release button is fully depressed (full step), the focus operating device 63 causes the release switch to be turned ON, and according to the result of object distance measuring demand and a set focal length, the whole optical unit driving motor 25 and the rear lens group driving motor 30 are driven, and the focusing operation, in which the front lens group L1 and the rear lens group L2 move to the focusing position, is executed. Further, an AE motor 29 of an AF/AE (i.e., autofocus/autoexposure) shutter unit (electrical unit) 21 (Figure 20) is driven via the AE motor controller 66 to actuate a shutter 27. During the shutter action, the AE motor controller 66 drives the AE motor 29 to open shutter blades 27a of the shutter 27 for a specified period of time according to the photometering information output from the photometering apparatus 65.

When the zoom operating device 62 is operated, the zoom operating device 62 drives the whole optical unit driving

motor 25 to move the front and rear lens groups L1 and L2 together as a whole in the direction of the optical axis O (optical axis direction). Simultaneous with such a movement, the rear lens group driving motor 30 may also be driven via the rear lens group driving motor controller 61 to move the rear lens group L2 relative to the front lens group L1. However, this is not performed under the conventional concept of zooming in which the focal length is varied sequentially without moving the position of the focal point. When the zoom operating device 62 is operated, the following two modes are available, namely:

1. a mode to move the front lens group L1 and the rear lens group L2 in the optical axis direction without varying the distance therebetween by driving only the whole optical unit driving motor 25; and,
2. a mode to move the front lens group L1 and the rear lens group L2 in the optical axis direction while varying the distance therebetween by driving both the whole optical unit driving motor 25 and the rear lens group driving motor 30.

In mode 1, during a zooming operation an in-focus condition cannot be obtained at all times with respect to a subject located at a specific distance. However, this is not a problem in a lens-shutter type camera, since the image of the subject is not observed through the photographing

optical system, but through the finder optical system that is provided separate from the photographing optical system, and it is sufficient to only be focused when the shutter is released. In mode 2, during a zooming operation, the front lens group L1 and the rear lens group L2 are moved without regard to whether the focal point moves, and when the shutter is released, the focusing operation (focus adjusting operation) is carried out by moving both the whole optical unit driving motor 25 and the rear lens group driving motor 30.

When the focus operating device 63 is operated in at least one part of the focal length range set by the zoom operating device 62, the whole optical unit driving motor 25 and the rear lens group driving motor 30 are driven to bring the subject into focus. The amount of movement of each lens group L1 or L2 by the whole optical unit driving motor 25 and the rear lens group driving motor 30 is determined not only using subject distance information provided from the object distance measuring apparatus 64, but also by using focal length information set by the zoom operating device 62. In such a manner, when the focus operating device 63 is operated, by moving both the whole optical unit driving motor 25 and the rear lens group driving motor 30, the position of the lens groups L1, L2 can be flexibly controlled, as compared with lens movements controlled by

cam.

The zoom lens camera of this embodiment can also be controlled in a different manner such that, during an operation of the zoom operating device 62, only the magnification of the zoom finder 67 and the focal length information are varied without driving either the whole optical unit driving motor 25 or the rear lens group driving motor 30. When the focus operating device 63 is operated, both the whole optical unit driving motor 25 and the rear lens group driving motor 30 are moved simultaneously according to the focal length information and the subject distance information obtained by the object distance measuring apparatus 64 to move the front lens group L1 and the rear lens group L2 to respective positions determined according to the focal length and the subject distance information.

An embodiment of the zoom lens barrel according to the above concept will now be described with reference to mainly Figures 21 and 22.

The overall structure of the zoom lens barrel 10 will firstly be described.

The zoom lens barrel 10 is provided with the first moving barrel 20, the second moving barrel 19, the third moving barrel 16, and a fixed lens barrel block 12. The third moving barrel 16 is engaged with a cylindrical portion

12p of the fixed lens barrel block 12, and moves in the optical axis direction upon being rotated. The third moving barrel 16 is provided on an inner periphery thereof with a linear guide barrel 17, which is restricted in rotation. The linear guide barrel 17 and the third moving barrel 16 move together as a whole in the optical axis direction, with the third moving barrel 16 rotating relative to the linear guide barrel 17. The first moving barrel 20 moves in the optical axis direction with rotation thereof being restricted. The second moving barrel 19 moves in the optical axis direction, while rotating relative to the linear guide barrel 17 and the first moving barrel 20. The whole optical unit driving motor 25 is secured to the fixed lens barrel block 12. A shutter mounting stage 40 is secured to the first moving barrel 20. The AE motor 29 and the rear lens group driving motor 30 are mounted on the shutter mounting stage 40. The front lens group L1 and the rear lens group L2 are respectively supported by a lens supporting barrel (lens supporting annular member) 34 and a lens supporting barrel 50.

An O-ring 70, made of a rubber or the like, is positioned between an outer peripheral circumferential surface of the lens supporting barrel 34, in the vicinity of the front end thereof, and an inner peripheral circumferential surface of an inner flange portion 20b

formed integral with the first moving barrel 20 in the vicinity of the front end thereof, as shown in Figure 20. The O-ring 70 prevents water from penetrating the zoom lens barrel 10 at the front end thereof between the first moving barrel 20 and the lens supporting barrel 34.

As shown in Figure 30, the front lens group L1 consists of five lenses, namely, a first lens (frontmost lens) L1a, a second lens L1b, a third lens L1c, a fourth lens L1d and a fifth lens L1e in this order from an object side to an image side, i.e., from the left hand side to the right hand side as viewed in Figure 30.

A front positioning ring 36 for determining a distance between the second lens L1b and the third lens L1c is positioned and held between the second lens L1b and the third lens L1c. An outer peripheral surface of the positioning ring 36 is fitted on an inner peripheral surface of the lens supporting barrel 34. Likewise, a rear positioning ring 37 for determining a distance between the third lens L1c and the fourth lens L1d is positioned and held between the third lens L1c and the fourth lens L1d. An outer peripheral surface of the positioning ring 37 is fitted on an inner peripheral surface of the lens supporting barrel 34. The rear surface of the fourth lens L1d and the front surface of the fifth lens L1e are cemented to each other, so that the fourth and fifth lenses L1d, L1e are



formed as a cemented or composite lens. A front circumferential edge L1f of the second lens L1b along the circumferential edge thereof contacts the rear surface of the first lens L1a. A rear circumferential edge L1g of the fifth lens L1e along the circumferential edge thereof contacts an inwardly-projecting flange 34b formed integral with the rear end of the lens supporting barrel 34.

A female thread 34a is formed on an inner periphery of a front part of the lens supporting barrel 34, as shown in Figure 30 or 31. A lens fixing ring 72, for fixing the first lens L1a to the lens supporting barrel 34, engages with the lens supporting barrel 34. With this arrangement, a male thread 72a formed on the outer peripheral surface of the lens fixing ring 72 meshes with the female thread 34a. A circular abutting surface 72b is formed on the lens fixing ring 72 on an inner peripheral surface thereof. The circular abutting surface 72b comes into contact with a circumferential portion fp of the front surface of the first lens L1a in a state when the lens fixing ring 72 is properly screw-engaged with the lens supporting barrel 34. The circular abutting surface 72b is formed to be substantially parallel to the circumferential portion fp so that the circular abutting surface 72b and the circumferential portion fp may be brought tightly into contact with each other when the lens fixing ring 72 is properly screw-engaged

with the lens supporting barrel 34.

A supporting ring portion 34c is formed integral with the lens supporting barrel 34. The supporting ring portion 34c is located inwardly from the female thread 34a in a radial direction of the lens supporting barrel 34. The inner peripheral surface of the supporting ring portion 34c, which extends in the optical axis direction, comes into contact with an outer circumferential edge or surface  $op$  of the first lens L1a. An annular positioning surface 34d, extending substantially normal to the optical axis  $O$ , is formed on the lens supporting barrel 34 immediately behind the supporting ring portion 34c. The circumferential edge of the rear surface of the first lens L1a comes into contact with the positioning surface 34d. With this structure, the first lens L1a is immovably held between the circular abutting surface 72b and the positioning surface 34d in the optical axis direction, and the first lens L1a is immovably held by the supporting ring portion 34c in a radial direction normal to the optical axis  $O$ .

As shown in Figure 32, a coating 72e is coated on the circular abutting surface 72b. The coating 72e is a waterproof coating made of a synthetic resin. In the present embodiment, "Fantas Coat SF-6 (trademark of a coating produced by the Japanese Company "Origin Denki Kabushiki Kaisha")" is used as the coating 72e. The front

surface of the first lens L1a is formed very smooth, whereas the circular abutting surface 72b of the lens fixing ring 72 is not formed as smoothly (i.e., has a rough finish) as the front surface of the first lens L1a. This is because the first lens L1a is more minutely and accurately formed than the lens fixing ring 72 since the first lens L1a is a precision optical element. Due to this fact, were it not for the coating 72e on the circular abutting surface 72b, a substantial gap would be formed between the circular abutting surface 72b and the circumferential portion fp even if the circular abutting surface 72b properly and tightly in contact with the circumferential portion fp by properly screw-engaging the lens fixing ring 72 with the female thread 34a. As a result, water or moisture would be able to penetrate into the lens supporting barrel 34 through the substantial gap. However, in the present embodiment, the coating 72e is applied to the circular abutting surface 72b so as to make the surface thereof a smooth surface which does not cause to form such a substantial gap between the circular abutting surface 72b and the circumferential portion fp when the circular abutting surface 72b properly contacts the circumferential portion fp. Accordingly, the coating 72e, positioned and held between the circular abutting surface 72b and the circumferential portion fp, effectively prevents water or moisture from penetrating the

lens supporting barrel 34 between the circular abutting surface 72b and the circumferential portion fp under the condition that the circular abutting surface 72b is properly and tightly in contact with the circumferential portion fp by properly screw-engaging the lens fixing ring 72 with the female thread 34a.

A circular surface 72c is formed on the lens fixing ring 72. The circular surface 72c is connected to the circular abutting surface 72b and is located immediately outward in a radial direction from the circular abutting surface 72b. A front part of the outer circumferential surface op of the first lens L1a (i.e., a circumferential edge of the first lens L1a) comes into contact with the circular surface 72c when the lens fixing ring 72 properly engages with the female thread 34a. Due to the circular surface 72c contacting the outer circumferential surface op, the watertight structure between the circular abutting surface 72b and the circumferential portion fp, that is realized by the coating 72e, is enhanced. That is, a highly efficient watertight connection between the first lens L1a and the lens fixing ring 72 is realized by providing both the coating 72e and the circular surface 72c with the lens fixing ring 72.

An annular recessed portion 34e is formed on the lens supporting barrel 34 between the female thread 34a and the

supporting ring portion 34c. As shown in Figure 20, in a state where the lens fixing ring 72 is properly screw-engaged with the female thread 34a, a rear end 72d of the lens fixing ring 72 is positioned in the annular recessed portion 34e with the rear end 72d not contacting the bottom (i.e., rearmost end) of the recessed portion 34e, namely, an annular space is formed in the annular recessed portion 34e between the rear end 72d and the bottom of the recessed portion 34e.

The fixed lens barrel block 12 is fixed in front of an aperture plate 14 fixed to the camera body. The aperture plate 14 is provided on a center thereof with a rectangular-shaped aperture 14a which forms the limits of each frame exposed. The fixed lens barrel block 12 is provided, on an inner periphery of the cylindrical portion 12p, with a female helicoid 12a, and also a plurality of linear guide grooves 12b each extending parallel to the optical axis O, i.e., extending in the optical axis direction. At the bottom of one of the linear guide grooves 12b, namely 12b', a code plate 13a, having a predetermined code pattern, is fixed. The code plate 13a extends in the optical axis direction and extends along substantially the whole of the length of the fixed lens barrel block 12. The code plate 13a is part of a flexible printed circuit board 13 positioned outside the fixed lens barrel block 12.

In the fixed lens barrel block 12, a gear housing 12c, which is recessed outwardly from an inner periphery of the cylindrical portion 12p of the fixed lens barrel block 12 in a radial direction while extending in the optical axis direction, is provided as shown in Figure 1, 3, 16 or 21. In the gear housing 12c, a driving pinion 15, extending in the optical axis direction, is rotatably held. Both ends of an axial shaft 7 of the driving pinion 15 are rotatively supported by a supporting hollow 4, provided in the fixed lens barrel block 12, and a supporting hollow 31a, provided on a gear supporting plate 31 fixed on the fixed lens barrel block 12 by set screws (not shown), respectively. Part of the teeth of the driving pinion 15 project inwardly from the inner periphery of the cylindrical portion 12p of the fixed lens barrel block 12 so that the driving pinion 15 meshes with an outer peripheral gear 16b of the third moving barrel 16, as shown in Figure 16.

The fixed lens barrel block 12 is provided on one side thereof (the left side as viewed in Figure 1) with a supporting member 32 formed integral therewith. The whole optical unit driving motor 25 is secured to the rear of the supporting member 32. A gear train 26 consisting of a plurality of gears, is accommodated to be supported in the supporting member 32 on the front thereof. The fixed lens barrel block 12 is further provided on the other side

thereof (opposite to the side having the supporting member 32) with a stationary plate 12m formed integral therewith. A plurality of projections 12n are integrally formed on the front of the stationary plate 12m, projecting towards the object side in the optical axis direction. The fixed lens barrel block 12 is further provided, between the stationary plate 12m and the cylindrical portion 12p, with a cutout portion 12k extending in the optical axis direction. The cutout portion 12k is formed by cutting out a part of the cylindrical portion 12p. One end of a flexible printed circuit board 6 is fixed and supported on the front of the stationary plate 12m by the projections 12n, with an intermediate part of the flexible printed circuit board 6 being laid along the cutout portion 12k. The other end of the flexible printed circuit board 6 is secured to the AF/AE shutter unit 21, as shown in Figure 11.

On an inner periphery of the third moving barrel 16, a plurality of linear guide grooves 16c, each extending parallel to the optical axis O, are formed. At an outer periphery of the rear end of the third moving barrel 16, a male helicoid 16a and the aforementioned outer peripheral gear 16b are provided as shown in Figure 14. The male helicoid 16a engages with the female helicoid 12a of the fixed lens barrel block 12. The outer peripheral gear 16b engages with the driving pinion 15. The driving pinion 15

has an axial length sufficient to be capable of engaging with the outer peripheral gear 16b throughout the entire range of movement of the third moving barrel 16 in the optical axis direction.

As shown in Figure 15, the linear guide barrel 17 is provided, on a rear part of an outer periphery thereof, with a rear end flange 17d. The rear end flange 17d has a plurality of engaging projections 17c each projecting away from the optical axis O in a radial direction. The linear guide barrel 17 is further provided, in front of the rear end flange 17d, with a retaining flange 17e. A circumferential groove 17g is formed between the rear end flange 17d and the retaining flange 17e. The retaining flange 17e has a radius smaller than the rear end flange 17d. The retaining flange 17e is provided with a plurality of cutout portions 17f. Each of the cutout portions 17f allows a corresponding engaging projection 16d to be inserted into the circumferential groove 17g, as shown in Figure 20.

The third moving barrel 16 is provided, on an inner periphery of the rear end thereof, with a plurality of engaging projections 16d. Each of the engaging projections 16d projects towards the optical axis O in a radial direction. By inserting the engaging projections 16d into the circumferential groove 17g, through the corresponding



cutout portions 17f, the engaging projections 16d are positioned in the circumferential groove 17g between the flanges 17d and 17e (see Figure 20). By rotating the third moving barrel 16 relative to the linear guide barrel 17, the engaging projections 16d are engaged with the linear guide barrel 17.

On the rear end of the linear guide barrel 17, an aperture plate 23 having a rectangular-shaped aperture 23a approximately the same shape as the aperture 14a, is fixed.

The relative rotation of the linear guide barrel 17, with respect to the fixed lens barrel block 12, is restricted by the slidable engagement of the plurality of engaging projections 17c with the corresponding linear guide grooves 12b, formed parallel to the optical axis O.

15 A contacting terminal 9 is fixed to one of the engaging projections 17c, namely 17c'. The contacting terminal 9 is in slidable contact with the code plate 13a, fixed to the bottom of the linear guide groove 12b', to generate signals corresponding to focal length information during zooming.

On the inner periphery of the linear guide barrel 17 a plurality of linear guide grooves 17a are formed, each extending parallel to the optical axis O. A plurality of lead slots 17b are also formed on the linear guide barrel 17 as shown in Figure 15 or 21. The lead slots 17b are each formed oblique (inclined) to the optical axis O.

The second moving barrel 19 engages with the inner periphery of the linear guide barrel 17. On the inner periphery of the second moving barrel 19, a plurality of lead grooves 19c are provided in a direction inclined oppositely to the lead slots 17b. On the outer periphery of the rear end of the second moving barrel 19 a plurality of follower projections 19a are provided. Each of the follower projections 19a has a trapezoidal cross-sectional shape projecting away from the optical axis O in a radial direction. Follower pins 18 are positioned in the follower projections 19a. Each follower pin 18 consists of a ring member 18a, and a center fixing screw 18b which supports the ring member 18a on the corresponding follower projection 19a. The follower projections 19a are in slidable engagement with the leading slots 17b of the linear guide barrel 17, and the follower pins 18 are in slidable engagement with the linear guide grooves 16c of the third moving barrel 16. With such an arrangement, when the third moving barrel 16 rotates, the second moving barrel 19 moves linearly in the optical axis direction, while rotating.

On the inner periphery of the second moving barrel 19, the first moving barrel 20 is engaged. The first moving barrel 20 is provided on an outer periphery of the rear thereof with a plurality of follower pins 24 each engaging with the corresponding inner lead groove 19c, and at the

same time the first moving barrel 20 is guided linearly by a linear guide member 22. The first moving barrel 20 is provided at the front end thereof with a decorative plate 41 secured thereto.

As shown in Figures 9 and 10, the linear guide member 22 is provided with an annular member 22a, a pair of guide legs 22b and a plurality of engaging projections 28. The pair of guide legs 22b project from the annular member 22a in the optical axis direction. The plurality of engaging projections 28 each project from the annular member 22a away from the optical axis O in a radial direction. The engaging projections 28 slidably engage with the linear guide grooves 17a. The guide legs 22b are respectively inserted into linear guides 40c between the inner peripheral surface of the first moving barrel 20 and the AF/AE shutter unit 21.

The annular member 22a of the linear guide member 22 is connected to the rear of the second moving barrel 19, such that the linear guide member 22 and the second moving barrel 19 are capable of moving along the optical axis O as a whole, and in addition are capable of relatively rotating around the optical axis O. The linear guide member 22 is further provided on the outer periphery of the rear end thereof with a rear end flange 22d. The linear guide member 22 is further provided, in front of the rear end flange 22d, with a retaining flange 22c. A circumferential groove 22f

is formed between the rear end flange 22d and the retaining flange 22c. The retaining flange 22c has a radius smaller than the rear end flange 22d. The retaining flange 22c is provided with a plurality of cutout portions 22e, as shown in Figure 9 or 10, each allowing a corresponding engaging projection 19b to be inserted into the circumferential groove 22f, as shown in Figure 20.

The second moving barrel 19 is provided on an inner periphery of the rear end thereof with a plurality of engaging projections 19b, each projecting towards the optical axis O in a radial direction. By inserting the engaging projections 19b into the circumferential groove 22f through the corresponding cutout portions 22e, the engaging projections 19b are positioned in the circumferential groove 22f between the flanges 22c and 22d. By rotating the second moving barrel 19 relative to the linear guide member 22, the engaging projections 19b are engaged with the linear guide member 22. With the above structure, when the second moving barrel 19 rotates in the forward or reverse rotational direction, the first moving barrel 20 moves linearly, forwardly or rearwardly along the optical axis O, but is restricted from rotating.

At the front of the first moving barrel 20, a barrier apparatus 35 having barrier blades 48a and 48b is mounted. On an inner peripheral face of the first moving barrel 20

the AF/AE shutter unit 21 having the shutter 27, consisting of three shutter blades 27a, is engaged and fixed, as shown in Figure 18. The AF/AE shutter unit 21 is provided with a plurality of fixing holes 40a formed at even angular intervals on the outer periphery of the shutter mounting stage 40. Only one of the fixing holes 40a appears in each of Figures 9 through 13.

The aforementioned plurality of follower pins 24, which engage with the inner lead grooves 19c, also serve as a device for fixing the AF/AE shutter unit 21 to the first moving barrel 20. The follower pins 24 are inserted in holes 20a, formed on the first moving barrel 20, and fixed in the fixing holes 40a. With this arrangement the AF/AE shutter unit 21 is secured to the first moving barrel 20 as shown in Figure 11. In Figure 11 the first moving barrel 20 is indicated by phantom lines. The follower pins 24 may be fixed by an adhesive, or the pins 24 may be formed as screws to be screwed into the fixing holes 40a.

As illustrated in Figures 13 and 21, the AF/AE shutter unit 21 is provided with the shutter mounting stage 40, a shutter blade supporting ring 46 fixed on the rear of the shutter mounting stage 40 so as to be located inside the shutter mounting stage 40, and the lens supporting barrel 50 supported in a state of being capable of movement relative to the shutter mounting stage 40. On the shutter mounting

stage 40, the lens supporting barrel 34, the AE motor 29, and the rear lens group driving motor 30, are supported. The shutter mounting stage 40 is provided with an annular member 40f having a circular aperture 40d. The shutter mounting stage 40 is also provided with three legs 40b which project rearward from the annular member 40f. Three slits are defined between the three legs 40b. Two of the slits comprise the aforementioned linear guides 40c, which slidably engage with the respective pair of guide legs 22b of the linear guide member 22 so as to guide the movement of the linear guide member 22.

The shutter mounting stage 40 supports an AE gear train 45, which transmits a rotation of the AE motor 29 to the shutter 27, a lens driving gear train 42, which transmits rotation of the rear lens group driving motor 30 to a screw shaft 43, photointerrupters 56 and 57, connected to a flexible printed circuit board 6, and rotating disks 58 and 59, having a plurality of radially formed slits provided in the circumferential direction. An encoder for detecting whether the rear lens group driving motor 30 is rotating and for detecting an amount of rotation of the rear lens group driving motor 30 consists of the photointerrupter 57 and the rotating disk 59. An AE motor encoder for detecting whether the AE motor 29 is rotating and for detecting an amount of rotation of the AE motor 29 consists of the photointerrupter

56 and the rotating disk 58.

The shutter 27, a supporting member 47 which pivotally supports the three shutter blades 27a of the shutter 27, and a circular driving member 49, which gives rotative power to the shutter blades 27a, are positioned between the shutter mounting stage 40 and the shutter blade supporting ring 46, secured to the shutter mounting stage 40. The circular driving member 49 is provided with three operating projections 49a at even angular intervals, which respectively engage with each of the three shutter blades 27a. As shown in Figure 13, the shutter blade supporting ring 46 is provided at a front end thereof with a circular aperture 46a and with three supporting holes 46b positioned at even angular intervals around the circular aperture 46a. Two deflection restricting surfaces 46c are formed on the outer periphery of the shutter blade supporting ring 46. Each deflection restricting surface 46c is exposed outwardly from the corresponding linear guide 40c and slidably supports the inner peripheral face of the corresponding guide leg 22b.

The supporting member 47, positioned in front of the shutter blade supporting ring 46, is provided with a circular aperture 47a, aligned with the circular aperture 46a of the shutter blade supporting ring 46, and with three pivotal shafts 47b (only one of which is illustrated in

Figure 13) at respective positions opposite the three supporting holes 46b. Each shutter blade 27a is provided at one end thereof with a hole 27b into which the corresponding pivotal shaft 47b is inserted, so that each shutter blade 27a is rotatable about the corresponding pivotal shaft 47b. The major part of each shutter blade 27a, that extends normal to the optical axis O from the pivoted end, is formed as a light interceptive portion. All three light interceptive portions of the shutter blades 27a together prevent ambient light, which enters the front lens group L1, from entering the circular apertures 46a and 47a when the shutter blades 27a are closed. Each shutter blade 27a is further provided, between the hole 27b and the light interceptive portion thereof, with a slot 27c, through which the corresponding operating projection 49a is inserted. The supporting member 47 is fixed to the shutter blade supporting ring 46 in such a manner that each shaft 47b, which supports the corresponding shutter blade 27a, is engaged with the corresponding supporting hole 46b of the shutter blade supporting ring 46.

A gear portion 49b is formed on a part of the outer periphery of the circular driving member 49. The gear portion 49b meshes with one of the plurality of gears in the gear train 45 to receive the rotation from the gear train 45. The supporting member 47 is provided, at respective



40

positions close to the three pivotal shafts 47b, with three arc grooves 47c each arched along a circumferential direction. The three operating projections 49a of the circular driving ring 49 engage with the slots 27c of the respective shutter blades 27a through the respective arc grooves 47c. The shutter blade supporting ring 46 is inserted from the rear of the shutter mounting stage 40, to support the circular driving ring 49, the supporting member 47 and the shutter 27, and is fixed on the shutter mounting stage 40 by set screws 90 respectively inserted through holes 46x provided on the shutter blade supporting ring 46.

Behind the shutter blade supporting ring 46, the lens supporting barrel 50, supported to be able to move relative to the shutter mounting stage 40 via guide shafts 51 and 52, is positioned. The shutter mounting stage 40 and the lens supporting barrel 50 are biased in opposite directions away from each other by a coil spring 3 fitted on the guide shaft 51, and therefore play between the shutter mounting stage 40 and the lens supporting barrel 50 is reduced. In addition, a driving gear 42a, provided as one of the gears in the gear train 42, is provided with a female thread hole (not shown) at the axial center thereof and is restricted to move in the axial direction. The screw shaft 43, one end of which is fixed to the lens supporting barrel 50, engages with the female thread hole. Accordingly, the driving gear 42a and

the screw shaft 43 together constitute a feed screw mechanism. In such a manner, when the driving gear 42a rotates forwardly or reversely due to driving by the rear lens group driving motor 30, the screw shaft 43 respectively moves clockwise or anti-clockwise with respect to the driving gear 42a, and therefore the lens supporting barrel 50, which supports the rear lens group L2, moves relative to the front lens group L1.

A holding member 53 is fixed at the front of the shutter mounting stage 40. The holding member 53 holds the motors 29 and 30 between the holding member 53 and the shutter mounting stage 40. The holding member 53 has a metal holding plate 55 fixed at the front thereof by set screws 99. The motors 29, 30 and the photointerrupters 56, 57 are connected to the flexible printed circuit board 6. One end of the flexible printed circuit board 6 is fixed to the shutter mounting stage 40.

After the first, second and third moving barrels 20, 19 and 16, and the AF/AE shutter unit 21 and the like are assembled, the aperture plate 23 is fixed to the rear of the linear guide barrel 17, and an annular retaining member 33 is fixed at the front of the fixed lens barrel block 12.

During an assembly of the zoom lens camera of the present embodiment, a zoom lens barrel unit 100, which consists of the first, second and third moving barrels 16,

19 and 20, the AF/AE shutter unit 21, the front and rear lens groups L1, L2, etc., is assembled, in advance, as a separate unit from the fixed lens barrel block 12. Thereafter, the zoom lens barrel unit 100 is installed in a housing of the fixed lens barrel block 12, i.e., in the cylindrical portion 12p, as shown in Figure 1 or 2.

With the zoom lens camera of the present embodiment a different installing method is used than in the case of a conventional zoom lens camera which is less troublesome and reduces the time necessary for installing the zoom lens barrel unit in the housing. In order to utilize the improved installing method, in the zoom lens barrel 10 a new type of linear guide mechanism has been realized, which is unique to the zoom lens camera of the present embodiment, for guiding the linear guide barrel 17 along the optical axis O without having the linear guide barrel 17 rotate.

With the linear guide mechanism of the present embodiment, no dedicated space is necessary only for the purpose of installing or detaching the zoom lens barrel unit 100 in or from the cylindrical portion 12p. Thus, the size of the zoom lens barrel unit 100 can be reduced thereby contributing to the realization of a compact zoom lens camera. Such a linear guide mechanism will be discussed with reference to Figures 1 through 8.

The basic process of such an installing method in the

zoom lens camera of the present embodiment will now be discussed. Firstly, as shown in Figure 1, the zoom lens barrel unit 100 is prepared in its most extended state. Secondly while maintaining such a state, the rear end of the zoom lens barrel unit 100 is brought into engagement with the front end of the cylindrical portion 12p in a predetermined positional relationship, as shown in Figure 2. Thereafter, the whole optical unit driving motor 25 is driven to rotate the drive pinion 15 (see, for example, Figure 21) in a predetermined rotational direction, so that the male helicoid 16a of the third moving barrel 16 engages with the female helicoid 12a.

Since the third moving barrel 16 and the cylindrical portion 12p are engaged with each other through the male and female helicoids 16a, 12a, i.e., through a threaded engagement when the third moving barrel 16 is brought into engagement with the cylindrical portion 12p, it is necessary for the third moving barrel 16 to be rotated, from a predetermined initial position of engagement to an engagement completion position (i.e., the front extremity of the actual movable range of the third moving barrel 16 for zooming relative to the cylindrical portion 12p), about the optical axis O relative to the cylindrical portion 12p by a predetermined rotational amount. Namely, since the male helicoid 16a and the outer peripheral gear 16b are formed on

the third moving barrel 16 along a common outer circumferential surface at the rear end of the third moving barrel 16 as shown in Figure 14, the male and female helicoids 16a and 12a can only engage with each other after the third moving barrel 16 has been located at a predetermined rotational position relative to the female helicoid 12a. Furthermore, the plurality of engaging projections 17c, which respectively engage with the plurality of linear guide grooves 12b, need to be at respective predetermined rotational positions with respect to the third moving barrel 16 when the third moving barrel 16 is brought into engagement with the fixed lens barrel block 12. Thus the third moving barrel 16 needs to be firstly engaged with the cylindrical portion 12p and subsequently moved to the aforementioned engagement completion position while maintaining the aforementioned predetermined rotational positions of the plurality of engaging projections 17c, with respect to the third moving barrel 16.

Due to such a structure, in order to set the zoom lens barrel unit 100 on the fixed lens barrel block 12 at the aforementioned engagement completion position, while maintaining the aforementioned predetermined rotational positions of the plurality of engaging projections 17c with respect to the third moving barrel 16, it is necessary to

provide a device for allowing the plurality of engaging projections 17c to move to respective initial positions at which the plurality of engaging projections 17c start engaging with the linear guide grooves 12b, without allowing the plurality of engaging projections 17c to contact anything, i.e., not being interfered by anything, until the female helicoids 12a have been brought to the aforementioned engagement completion position. In the linear guide mechanism of the present embodiment, such a device is provided on the fixed lens barrel block 12, rather than on the zoom lens barrel unit 100. Contrary to the present embodiment, if such a device is provided on the zoom lens barrel unit 100, the device needs to be constructed so as to allow the plurality of engaging projections 17c to further rotate about the optical axis O relative to the third moving barrel 16 beyond the actual rotatable range used in an actual zooming operation. Namely, in such a device it is necessary to provide a structure that allows the third moving barrel 16 and the linear guide barrel 17 to further rotate relative to each other to some extent beyond the actual rotatable range used in an actual zooming operation. That is, the device requires that the lead grooves 17b, 19c be formed sufficiently long so as to allow the third moving barrel 16 and the linear guide barrel 17 to further rotate relative to each other, which renders the zoom lens barrel

10 to be longer and larger.

Note that in Figures 1 and 2 the drive pinion 15, which is accommodated in the gear housing 12c, is not illustrated, and the gear train 26, which is supported on the supporting member 32, is not illustrated.

The aforementioned device provided on the fixed lens barrel block 12 is constructed as follows. As shown in Figure 1, 3 or 6, three recessed portions 12g (only one of which is shown in Figure 1, 3 or 6), each recessed outwardly in a radial direction, are formed on the inner periphery of the cylindrical portion 12p at the front end thereof such that each recessed portion 12g connects with a corresponding one of the linear guide grooves 12b. Each recessed portion 12g includes a beveled surface or edge 12e. The beveled surface 12e is inclined in the optical axis direction and extends parallel to the female helicoid 12a. The beveled surface 12e connects with one of the side surfaces or edges "A" of the corresponding linear guide groove 12b. The other side surface "B" of the linear guide groove 12b extends in the optical axis direction. The front end of the side surface "B" extends to the front end of the cylindrical portion 12p. A front edge 12f of each recessed portion 12g is recessed by a small amount rearwardly from the front end of the cylindrical portion 12p. A cutout portion 12d is formed on the front end of the cylindrical portion 12p at

each position on the front edge 12f. A rectangular hole 12h is formed in approximately the middle part of each recessed portion 12g thereof.

The annular retaining member 33 (see, for example, Figure 2) is secured to the front end of the cylindrical portion 12p at least after the third moving barrel 16 has been engaged with the cylindrical portion 12p with each of the engaging projections 17c engaging with the corresponding linear guide groove 12b. Namely, the annular retaining member 33 is brought into engagement with the front end of the cylindrical portion 12p after the zoom lens barrel unit 100 has been properly installed in the cylindrical portion 12p.

As shown in Figure 2, 5 or 7, three engaging projections 33a, which may respectively engage with the recessed portions 12g, are integrally formed on the annular retaining member 33. The annular retaining member 33 is secured to the front end of the cylindrical portion 12p through the engaging projections 33a.

In addition to the engaging projections 33a, the annular retaining member 33 is also provided with an annular base 33i. Each of the engaging projections 33a extends rearwardly in the optical axis direction from the annular base 33i so as to correspond to the respective recessed portions 12g. The annular retaining member 33 is further



provided with a strip-shaped plate 33g which is integrally formed on the annular base 33i. The plate 33g extends in the optical axis direction at the location corresponding to the position of the aforementioned cutout portion 12k. When the annular retaining member 33 properly engages with the cylindrical portion 12p, the plate 33g lies along or covers the cutout portion 12k so as to prohibit the annular retaining member 33 from rotating about the optical axis O relative to the cylindrical portion 12p while restricting the movement of the aforementioned intermediate part of the flexible printed circuit board 6.

Each engaging projection 33a is provided with a beveled surface 33b, a linear guide surface 33c and a parallel surface 33d. When the annular retaining member 33 properly engages with the cylindrical portion 12p, each beveled surface 33b tightly contacts the corresponding beveled surface 12e. Additionally, each linear guide surface 33c and the side surface "A" of the corresponding linear guide groove 12b are connected with each other. Thus, the linear guide surface 33c and the side surface "A" together guide a side edge "C" of the corresponding engaging projection 17c in the optical axis direction. When the annular retaining member 33 properly engages with the cylindrical portion 12p, the parallel surface 33d extends parallel to the other side surface "B" of the corresponding linear guide groove 12b.

Each engaging projection 33a is further provided with a stop surface 33f which extends perpendicular to both the corresponding parallel surface 33d and linear guide surface 33c to connect the parallel surface 33d with the linear guide surface 33c. When the annular retaining member 33 properly engages with the cylindrical portion 12p, each stop surface 33f defines the front end of the corresponding linear guide groove 12b, as shown in Figure 7.

Specifically, in the state where the annular retaining member 33 properly engages with the cylindrical portion 12p, each linear guide surface 33c and the side surface "A" of the corresponding linear guide groove 12b are not located in a common plane extending in the optical axis direction, but each linear guide surface 33c is slightly recessed away from the corresponding side surface "B" relative to the corresponding side surface "A" in a circumferential direction of the cylindrical portion 12p by an amount "a", as shown in Figure 7 or 8. In other words, the linear guide surface 33c is slightly recessed away from an imaginary surface "A'" that is located in a common plane in which the side surface "A" of the corresponding linear guide groove 12b is located. Therefore, the width of each linear guide groove 12b is slightly wider at the front end thereof, where the linear guide surface 33c is provided, than the width of the remaining part of the linear guide groove 12b. The

reason why the linear guide surface 33c is recessed in such a manner will be hereinafter discussed.

Each engaging projection 17c of the linear guide barrel 17 moves forwardly while pressing against the side surface "A" of the corresponding linear guide groove 12b when the zoom lens barrel 10 is driven to advance. For this reason, if any of the linear guide surfaces 33c are formed closer to the corresponding side surface "B" than the side surface "A" of the corresponding linear guide groove 12b beyond the corresponding imaginary surface "A'" due to an error in a molding process of the annular retaining member 33 or the like, the engaging projection 17c, that engages with the linear guide groove 12b including such a linear guide surface 33c, cannot smoothly shift from the side surface "A" to the adjacent linear guide surfaces 33c. In order to prevent the occurrence of such a problem, each linear guide surface 33c is formed in such a manner as noted above, i.e., recessed by the amount "a". Owing to such a structure, even if any linear guide surface 33c should be formed slightly closer to the corresponding side surface "B" due to a manufacturing error, since each linear guide surface 33c is already made such as to be slightly recessed away from the corresponding side surface "B", the aforementioned problem does not occur. Although each linear guide surface 33c and the side surface "A" of the corresponding linear guide

groove 12b are not located in a common plane extending in the optical axis direction, a problem similar to the aforementioned problem does not occur when the zoom lens barrel 10 is driven to retract back to the camera body. This is because each engaging projection 17c of the linear guide barrel 17 moves rearwardly while pressing against the side surface "B" of the corresponding linear guide groove 12b when the zoom lens barrel 10 is driven to retract.

An engaging claw 33h is integrally formed on an outer surface of each engaging projection 33a. The engaging claws 33h respectively snap into the rectangular holes 12h when the annular retaining member 33 properly engages with the cylindrical portion 12p. An engaging projection 33e, which extends rearward from the annular base 33i in the optical axis direction, is formed on the annular retaining member 33 at a position on an outer surface of each engaging projection 33a. The engaging projections 33e respectively engage with the cutout portions 12d when the annular retaining member 33 properly engages with the cylindrical portion 12p.

According to the linear guide mechanism having the structures as noted above, the zoom lens barrel unit 100 can be installed in the cylindrical portion 12p in the following manner. Firstly, after the zoom lens barrel unit 100 has been assembled, the zoom lens barrel unit 100, rendered in

its most extended state, is prepared. Secondly, while being in such a state, the rear end of the zoom lens barrel unit 100 is fitted in the front end of the inner periphery of the cylindrical portion 12p with a predetermined positional relationship. That is, the angular position of the zoom lens barrel unit 100 relative to the cylindrical portion 12p is predetermined when the rear end of the zoom lens barrel unit 100 engages with the front end of the inner periphery of the cylindrical portion 12p. Thereafter, the whole optical unit driving motor 25 is actuated to rotate the drive pinion 15 by several degrees in a direction to retract the third moving barrel 16 into the cylindrical portion 12p. The rotation of the whole optical unit driving motor 25 is transmitted to the third moving barrel 16 through the gear train 26, the drive pinion 15 and the outer peripheral gear 16b, thus making the male helicoid 16a rotate relative to the female helicoid 12a to thereby retract the third moving barrel 16 to the front extremity of the actual movable range of the third moving barrel 16 for zooming. During the retraction movement of the third moving barrel 16 up to the front extremity, the linear guide barrel 17 remains located at a specific rotational position with respect to the third moving barrel 16, since the zoom lens barrel unit 100 is in its most extended state, and because during the retraction movement of the third moving barrel 16, each engaging

projection 17c passes through the corresponding recessed portion 12g to engage with the corresponding linear guide grooves 12b, as shown by phantom lines in Figure 6.

After the third moving barrel 16 has been retracted to the front extremity of the actual movable range of the third moving barrel 16 for zooming in such a manner as noted above, if the whole optical unit driving motor 25 is actuated to further rotate the drive pinion 15 in a direction to retract the third moving barrel 16 into the cylindrical portion 12p, the male helicoid 16a rotates relative to the female helicoid 12a to thereby retract the third moving barrel 16 into the cylindrical portion 12p. At the same time, the first and second moving barrels 20, 19 retract into the second and third moving barrels 19, 16, respectively, due to the mechanical structure for driving the first, second and third moving barrels in a predetermined relationship. Consequently, the zoom lens barrel unit 100 moves into its most retracted state and is accommodated in the cylindrical portion 12p.

According to the linear guide mechanism of the present embodiment for guiding the linear guide barrel 17 along the optical axis O without rotating the linear guide barrel 17, the aforementioned device (which allows the engaging projections 17c to move to respective initial positions at which the engaging projections 17c start engaging with the

linear guide grooves 12b, without the engaging projections 17c contacting anything, until the female helicoids 12a have been brought up to the aforementioned engagement completion position) for installing or detaching the zoom lens barrel unit 100 in or from the fixed lens barrel block 12 is provided on the fixed lens barrel block 12, not on the zoom lens barrel unit 100, which advantageously does not render the zoom lens barrel 10 to be longer and larger. Furthermore, the recessed portions 12g are used not only for installing or detaching the zoom lens barrel unit 100 in or from the fixed lens barrel block 12 but also for forming part of the linear guide grooves 12b after the annular retaining member 33 has been secured to the front end of the cylindrical portion 12p. Accordingly, it can be understood that the recessed portions 12g are space-efficiently formed on the front part of the cylindrical portion 12p, which contributes to the realization of a small and compact zoom lens barrel 10.

Another feature of the linear guide mechanism of the present embodiment will be hereinafter discussed mainly with reference to Figures 3 and 23 through 29.

This feature of the present embodiment concerns one of the plurality of linear guide grooves 12b, namely the linear guide groove 12bi, and one of the plurality of engaging projections 17c which engages with the linear guide groove

12bi, namely the engaging projection 17ci. As shown in Figure 23 or 25, the engaging projection 17ci is formed having an "M"-shaped outline so that the engaging projection 17ci does not interfere with two projections 12a' formed on a bottom of the linear guide groove 12bi. As can be seen from Figure 3 or 26, the two projections 12a' form part of the female helicoid 12a.

As shown in Figure 25, another one of the plurality of linear guide grooves 12b, namely the linear guide groove 12bni, and another one of the plurality of engaging projections which engages with the linear guide groove 12bni, namely the engaging projection 17cni, are not formed having the aforementioned features of the linear guide groove 12bi and the engaging projection 17bi.

Strictly speaking, the engaging projection 17ci engages with the linear guide groove 12bi in a manner such that the engaging projection 17ci projects outwardly from the optical axis 0 by a length "t" (amount of engagement), measured in a radial direction from the root of the female helicoid 12a to the tip of the engaging projection 17ci as shown in Figure 25 or 28. The tip of the engaging projection 17ci does not contact the bottom of the linear guide groove 12bi. Reference "w" shown in Figure 25 or 28 represents the width of the engaging projection 17ci. Reference "xl" shown in Figure 25 or 28 designates a corner of the engaging



projection 17ci. A line connecting "x1" with "x1" (line x1-x1) is identical to the width of the engaging projection 17ci "w", which is substantially the same as the width of the linear guide groove 12bi.

On the other hand, the engaging projection 17cni engages with the linear guide groove 12bni in a manner such that the tip portion of the engaging projection 17cni projects into the linear guide groove 12bni by a length "t" (amount of engagement), measured in a radial direction from the root of the female helicoid 12a to the tip of the engaging projection 17cni, as shown in Figure 25. The tip of the engaging projection 17cni does not reach the bottom of the linear guide groove 12bni. The length "t" is substantially the same as the aforementioned length "t'". The engaging projection 17cni has substantially the same mechanical strength as the engaging projection 17ci. Reference "w" shown in Figure 25 represents the width of the engaging projection 17cni. Reference "x2" shown in Figure 25 designates a corner of the engaging projection 17cni. A line connecting "x2" with "x2" (line x2-x2) is identical to the width of the engaging projection 17cni "w", which is substantially the same as the width of the linear guide groove 12bni. Since the lengths "t" and "t'" are substantially the same, the corners "x1", "x1" and "x2" and "x2" are substantially located on a common circle (not

shown) about the optical axis O. In other words, in Figure 25, the three points, i.e., the corners "x1", "x1" and the optical axis O forms an isosceles triangle, and another three points, i.e., the corners "x2", "x2" and the optical axis O forms another isosceles triangle. The bases of the two isosceles triangles each touches a common imaginary circle cc about the optical axis O. Due to this arrangement, the bottom surface of each of the linear guide grooves 12bi, 12bni extends in a plane perpendicular to a radial direction of the cylindrical portion 12p. Another common imaginary circle (not shown) about the optical axis O, with which the corners on the bottom of each linear guide groove 12b come in contact, is slightly larger than the common imaginary circle cc, but is substantially the same as the common imaginary circle cc since the tip of each engaging projection almost touches the bottom of the corresponding linear guide groove 12b.

The aforementioned other feature of the linear guide mechanism is that the part of the outer peripheral surface of the cylindrical portion 12p, which is located at the position opposite to the bottom of the linear guide groove 12bi, can be formed to be a flat surface extending parallel to the bottom surface of the linear guide groove 12bi. This feature will be hereinafter discussed.

The linear guide barrel 17 does not rotate with respect

to the fixed lens barrel block 12. However, since the third moving barrel 16 rotates relative to the linear guide barrel 17, the rotational force of the third moving barrel 16 is transmitted from the male helicoid 16a to the female helicoid 12a, and as a result, the linear guide barrel 17 moves linearly along the optical axis O while receiving that rotational force at the engaging projections 17c through the linear guide grooves 12b. Therefore, if the aforementioned amount of engagement "t" or "t'" of each engaging projection 17c is too short and/or the width "w" or "w'" of each linear guide groove 12b is too narrow, the engaging projections 17c may disengage from the respective linear guide grooves 12b when the linear guide barrel 17 moves linearly along the optical axis O. However, such a problem does not occur if the amount of engagement "t" or "t'" of each engaging projection 17c and the width "w" or "w'" of each linear guide groove 12b are designed sufficiently large.

As can be understood from Figure 27, the larger the width of the linear guide groove 12bi (the length of the line x1-x1), the closer the line x1-x1 comes to the optical axis O. That is, the wider the width of the linear guide groove 12bi, the closer the line x1-x1 comes to the optical axis O than the line x2-x2. For this reason, the thickness of the cylindrical portion 12p at the portion thereof where the linear guide groove 12bi is formed will

become greater than that at the portion where the linear guide groove 12bni is formed in the case where the bottom of the linear guide groove 12bi is formed so as to almost touch the tip of the engaging projection 17ci as noted above. In such a case, the thickness of the cylindrical portion 12p at the portion thereof where the linear guide groove 12bi is formed will be thicker than that at the portion where the linear guide groove 12bni is formed by a thickness "y", as shown in Figure 27. References "L1" and "L2" represent the length from the bottom of the linear guide groove 12bi to the outer periphery of the cylindrical portion 12p, and the length from the bottom of the linear guide groove 12bni to the outer periphery of the cylindrical portion 12p, respectively. The thickness "y" is equal to the difference between lengths "L1" and "L2" ( $L1-L2=y$ ).

In the present embodiment, as illustrated in Figure 28, the portion of the cylindrical portion 12p which forms the bottom of the linear guide groove 12bi is formed to have the same thickness as the portion of the cylindrical portion 12p where the linear guide groove 12bni is formed, by cutting off part of an outer layer of the cylindrical portion 12p by an amount corresponding to the thickness "y". By so doing, the part of the outer peripheral surface of the cylindrical portion 12p, which is located at the position opposite to the bottom of the linear guide groove 12bi, is formed to be

a flat surface 12x extending parallel to the bottom surface of the linear guide groove 12bi.

The flat surface 12x is located immediately next to a flat surface PT1 of a wall PT forming a film chamber FC of the zoom lens camera of the present embodiment. The wall PT is secured to the fixed lens barrel block 12, and the flat surface PT1 extends parallel to the flat surface 12x. Since the flat surface 12x is formed by cutting off part of an outer layer of the cylindrical portion 12p in such a manner as noted above, the film chamber FC is successfully located closer to the cylindrical portion 12p towards the optical axis O, by the amount corresponding to the aforementioned thickness "y", which contributes to the minimization of the size of the zoom lens camera of the present embodiment, particularly, in the width of the camera. This effective structure to minimize the width of the zoom lens camera can be appreciated by comparing a distance "H" from the optical axis O to the flat surface 12x with a distance "R" from the optical axis O to an outer peripheral surface of the cylindrical portion 12p on which the flat surface 12x is not formed, as shown in Figure 29. The distances "H" and "R" are also illustrated in Figure 25. The front and rear of the zoom lens camera of the present embodiment respectively correspond to the up and down as viewed in Figure 29.

In the zoom lens camera of the present embodiment, the

aforementioned another feature of the linear guide mechanism is adopted to the linear guide groove 12bi and the engaging projection 17ci. However, such a feature may be applied to any other linear guiding groove and engaging projection which engage with each other.

In the above-described embodiment of the zoom lens barrel 10, although the zoom lens optical system consists of two movable lens groups, namely the front lens group L1 and the rear lens group L2, it should be understood that the present invention is not limited to the present embodiment disclosed above, but the present invention may also be applied to another type of zoom lens optical system including one or more fixed lens group.

In addition, in the above embodiment, the rear lens group L1 is provided as a component of the AF/AE shutter unit 21, and the AE motor 29 and the rear lens group driving motor 30 are mounted to the AF/AE shutter unit 21. With such a structure, the structure for supporting the front and rear lens groups L1 and L2 and the structure for driving the rear lens group L2 are both simplified. Instead of adopting such a structure, the zoom lens barrel 10 may also be realized in such a manner by making the rear lens group L2 a member separate from the AF/AE shutter unit 21, which is provided with the shutter mounting stage 40, the circular driving member 49, the supporting member 47, the shutter

blades 27, the shutter blade supporting ring 46 and the like, and that the rear lens group L2 is supported by any supporting member other than the AF/AE shutter unit 21.

In the zoom lens camera of the present embodiment, the operation by rotation of the whole optical unit driving motor 25 and the rear lens group driving motor 30 will now be described with reference to Figures 17, 18, 19 and 20.

As shown in Figure 18 or 20, when the zoom lens barrel 10 is at the most retracted (withdrawn) position, i.e., the lens-housed condition, when the power switch is turned ON, the whole optical unit driving motor 25 is driven to rotate its drive shaft in the forward rotational direction by a small amount. This rotation of the motor 25 is transmitted to the driving pinion 15 through the gear train 26, which is supported by the supporting member 32 formed integral with the fixed lens barrel block 12, to thereby rotate the third moving barrel 16 in one predetermined rotational direction to advance forwardly along the optical axis O. Therefore, the second moving barrel 19 and the first moving barrel 20 are each advanced by a small amount in the optical axis direction, along with the third moving barrel 16. Consequently, the camera is in a state capable of photographing, with the zoom lens positioned at the widest position, i.e., the wide end. At this stage, due to the fact that the amount of movement of the linear guide barrel

17, with respect to the fixed lens barrel block 12, is detected through the relative slide between the code plate 13a and the contacting terminal 9, the focal length of the zoom lens barrel 10, i.e., the front and rear lens groups L1 and L2, is detected.

In the photographable state as above described, when the aforementioned zoom operating lever is manually moved towards a "tele" side, or the "tele" zoom button is manually depressed to be turned ON, the whole optical unit driving motor 25 is driven to rotate its drive shaft in the forward rotational direction through the whole optical unit driving motor controller 60 so that the third moving barrel 16 rotates in the rotational direction to advance along the optical axis O via the driving pinion 15 and the outer peripheral gear 16b. Therefore, the third moving barrel 16 is advanced from the fixed lens barrel block 12 according to the relationship between the female helicoid 12a and the male helicoid 16a. At the same time, the linear guide barrel 17 moves forwardly in the optical axis direction together with the third moving barrel 16, without relative rotation to the fixed lens barrel block 12, according to the relationship between the engaging projections 17c and the linear guide grooves 12b. At this time, the simultaneous engagement of the follower pins 18 with the respective lead slots 17b and linear guide grooves 16c causes the second



moving barrel 19 to move forwardly relative to the third moving barrel 16 in the optical axis direction, while rotating together with the third moving barrel 16 in the same rotational direction relative to the fixed lens barrel block 12. The first moving barrel 20 moves forwardly from the second moving barrel 19 in the optical axis direction, together with the AF/AE shutter unit 21, without relative rotation to the fixed lens barrel block 12, due to the above-noted structures in which the first moving barrel 20 is guided linearly by the linear guide member 22 and in which the follower pins 24 are guided by the lead grooves 19c. During such movements, according to the fact that the moving position of the linear guide barrel 17 with respect to the fixed lens barrel block 12 is detected through the relative slide between the code plate 13a and the contacting terminal 9, the focal length set by the zoom operation device 62 is detected.

Conversely, when the zoom operating lever is manually moved towards a "wide" side, or the "wide" zoom button is manually depressed to be turned ON, the whole optical unit driving motor 25 is driven to rotate its drive shaft in the reverse rotational direction through the whole optical unit driving motor controller 60 so that the third moving barrel 16 rotates in the rotational direction to retract into the fixed lens barrel block 12 together with the linear guide

barrel 17. At the same time, the second moving barrel 19 is retracted into the third moving barrel 16, while rotating in the same direction as that of the third moving barrel 16, and the first moving barrel 20 is retracted into the rotating second moving barrel 19 together with the AF/AE shutter unit 21. During the above retraction driving, like the case of advancing driving as above described, the rear lens group driving motor 30 is not driven.

While the zoom lens barrel 10 is driven during the zooming operation, since the rear lens group driving motor 30 is not driven, the front lens group L1 and the rear lens group L2 move as a whole, maintaining a constant distance between each other, as shown in Figure 17 or 19. The focal length input via the zoom code plate 13a and the contacting terminal 9 is indicated on an LCD panel (not shown) provided on the camera body.

At any focal length set by the zoom operating device 62, when the release button is depressed by a half-step, the object distance measuring apparatus 64 is actuated to measure a current subject distance. At the same time the photometering apparatus 65 is actuated to measure a current subject brightness. Thereafter, when the release button is fully depressed, the whole optical unit driving motor 25 and the rear lens group driving motor 30 are each driven by respective amounts dictated according to the focal length

66

information set in advance and the subject distance information obtained from the object distance measuring apparatus 64, so that the front and rear lens groups L1 and L2 are respectively moved to specified positions to obtain a specified focal length to thereby bring the subject into focus. Immediately after the subject is brought into focus, via the AE motor controller 66, the AE motor 29 is driven to rotate the circular driving member 49 by an amount corresponding to the subject brightness information obtained from the photometering apparatus 65 so that the shutter 27 is driven to open the shutter blades 27a by a specified amount which satisfies the required exposure. Immediately after such a shutter release operation, in which the three shutter blades 27a are opened and subsequently closed, is completed, the whole optical unit driving motor 25 and the rear lens group driving motor 30 are both driven to move the front lens group L1 and the rear lens group L2 to the respective initial positions at which they were at prior to a shutter release.

In the present embodiment of the zoom lens barrel 10, "Fantas Coat SF-6" is used as the coating 72e. However, a different type of coating may be used as the coating 72e as long as it is waterproof and makes the circular abutting surface 72b a smooth surface to form substantially no gap between the circular abutting surface 72b and the

circumferential portion fp.

Obvious changes may be made in the specific embodiments of the present invention described herein, such modifications being within the scope of the invention claimed. It is indicated that all matter contained herein is illustrative and does not limit the scope of the present invention.

## CLAIMS:-

## 1. A lens barrel comprising:

an outer barrel provided on an inner periphery thereof with a first thread and at least one linear guide groove intersecting said first thread and extending in a direction of an optical axis of said lens barrel;

a middle barrel provided on an outer periphery thereof with a second thread for meshing with said first thread; and

an inner barrel positioned inside said middle barrel, said inner barrel being provided with at least one follower for engaging with said at least one linear guide groove, so that said inner barrel is guided along said optical axis without rotating about said optical axis with respect to said outer barrel; wherein

a front end of each of said at least one linear guide groove is formed with at least one enlarged width dimension to enable rotational movement of said at least one follower into said at least one linear guide groove during initial meshing of said middle barrel with said outer barrel.

2. A lens barrel according to claim 1, further comprising an annular retaining member for engaging with a front end of said outer barrel

3. A lens barrel according to claim 2, wherein said

annular retaining member comprises at least one engaging projection for engaging said at least one enlarged width dimension.

4. A lens barrel according to claim 3, wherein said at least one engaging projection comprises a surface determining a front extremity of said at least one linear guide groove.

5. A lens barrel according to claim 3 or 4, wherein said at least one linear guide groove is defined between a first side surface and a second side surface,

said first and said second side surfaces extending in said direction of said optical axis, and wherein said at least one engaging projection comprises a linear guide surface which together with said first side surface linearly guides said at least one follower.

6. A lens barrel according to claim 5, wherein a distance between said first side surface and said second side surface is less than a distance between said linear guide surface and said second side surface.

7. A lens barrel according to any preceding claim, wherein said at least one enlarged width dimension comprises a surface inclined in a direction parallel to said first thread.

8. A lens barrel according to any preceding claim, wherein said outer barrel is formed integrally with a stationary block provided inside a camera body.

9. A lens barrel according to any preceding claim, wherein said middle barrel is movable along said optical axis together with said inner barrel without varying a distance therebetween, while said middle barrel rotates about said optical axis relative to said inner barrel.
10. A lens barrel according to any preceding claim, wherein said at least one follower is formed at a rear end of said inner barrel outwardly in a radial direction of said inner barrel to engage with said at least one linear guide groove.
11. A lens barrel according to any one of claims 3 to 6, wherein said at least one engaging projection comprises an engaging claw which projects outwardly in a radial direction of said annular retaining member, said engaging claw engaging with a hole formed in said front end of said at least one linear guide groove.
12. A lens barrel according to any preceding claim, further comprising at least one projection formed at a base of said at least one linear guide groove, said at least one projection engaging with said second thread so as to function as a part of said first thread.
13. A lens barrel according to any preceding claim, wherein said at least one follower and said at least one linear guide groove both have a width exceeding a predetermined minimum width and a height equal to a predetermined minimum height.
14. A lens barrel according to claim 12, wherein

71

said at least one projection is formed substantially centrally in the width dimension of said at least one linear guide groove.

15. A lens barrel comprising:

a barrel provided on an inner periphery thereof with a linear guide groove extending in a direction of an optical axis of said lens barrel; and

an annular member arranged concentrically with said barrel, said annular member being provided with a follower for engaging said linear guide groove so that said annular member is guided along said optical axis without rotating about said optical axis relative to said barrel,

wherein a substantially plane surface is formed in an outer periphery of said barrel, radially outwardly of said linear guide groove.

16. A lens barrel according to claim 15, wherein said linear guide groove has a planar base extending in said direction of said optical axis and perpendicular to a radial direction of said barrel, said plane surface being formed parallel to said Planar



base.

17. The lens barrel according to claim 15 or 16, further comprising:

a first thread formed on said inner periphery of said barrel so that said linear guide groove extends within said first thread;

a rotational barrel positionable between said barrel and said annular member and provided with a second thread for meshing with said first thread so that said rotational barrel is movable along said optical axis while rotating about said optical axis relative to said barrel; and

at least one projection formed at a base of said linear guide groove, said at least one projection engaging with said second thread so as to function as a part of said first thread.

18. A lens barrel according to any one of claims 15 to 17, wherein said follower and said linear guide groove are each formed to have a width greater than a predetermined minimum width and a height equal to a predetermined minimum height.

19. A lens barrel according to claim 17, wherein said at least one projection is formed substantially in a middle of said linear guide groove in a circumferential direction of said barrel.

73

20. A lens barrel substantially as hereinbefore described with reference to Figures 1 to 8 and 23 to 29 of the accompanying drawings.



The  
Patent  
Office

74

Application No: GB 9701547.3  
Claims searched: 1-14

Examiner: Chris Ross  
Date of search: 15 April 1997

**Patents Act 1977**  
**Search Report under Section 17**

**Databases searched:**

UK Patent Office collections, including GB, EP, WO & US patent specifications, in:

UK Cl (Ed.O): G2J(J23C)

Int Cl (Ed.6): G02B

Other:

**Documents considered to be relevant:**

Category	Identity of document and relevant passage	Relevant to claims
A	US 5467227 A (ASAHI) abstract	

X	Document indicating lack of novelty or inventive step	A	Document indicating technological background and/or state of the art.
Y	Document indicating lack of inventive step if combined with one or more other documents of same category.	P	Document published on or after the declared priority date but before the filing date of this invention.
&	Member of the same patent family	E	Patent document published on or after, but with priority date earlier than, the filing date of this application.